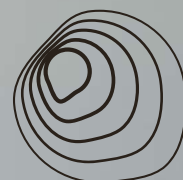
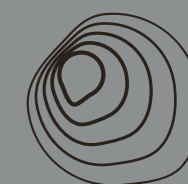




BROKIS



BROKIS



BROKIS

BROKIS



BROKIS – a synthesis of exquisite design, superior quality, and the skill of master artisans continuing the centuries-old Bohemian glassmaking tradition. Its collections have achieved international acclaim by combining handblown glass with other refined materials, such as handcrafted wood and metal, in bold compositions that push the boundaries not only of contemporary lighting design but of the technologies applied in production. The family-run premium brand works with select designers from around the world and operates its own historical glassworks southeast of Prague. Each Brokis light is a genuine original, a functional work of art as captivating by day as it is by night.



TRADITION



PRESERVATION OF BOHEMIAN GLASSBLOWING TRADITION

Brokis is the brainchild of successful Czech entrepreneur Jan Rabell. In 2006, he founded the brand Brokis as a platform to enliven and elevate Bohemian glassmaking to new heights and preserve generations of knowledge and craftsmanship. Nearly ten years prior, in 1997, he acquired the ailing Janštejn Glassworks, founded at the start of the 19th century approximately 140 kilometres southeast of Prague. Demand for traditional products had declined significantly, many of the glassmakers were growing old and leaving, and time-honoured technologies and techniques were at risk of being lost. Mr. Rabell's vision was to restore the factory to its former prestige and ensure that the ages-old Bohemian glassmaking tradition endured into the 21st century.

With Brokis, Jan Rabell created a lighting brand offering entirely different products than those previously produced at Janštejn Glassworks. Several new Italian-style furnaces were built, and production techniques were refined. Some, such as grinding and glass painting, were discontinued, and others were revived, e.g., glassblowing using optic moulds, and traditional hotshop techniques. Original and nearly forgotten formulas for manufacturing coloured glass were reinstated and are now characteristic of the Brokis brand.

Brokis has firmly established itself as a leading innovator in glass lighting. For example, the complex technology applied in production of the Night Birds collection, which consists of imposing yet elegant curved glass silhouettes of birds in various phases of flight, required two years of experimentation to perfect. Today, Brokis and Janštejn Glassworks employ a total of 100 people and enjoy a unique symbiosis that has allowed Brokis to launch sales operations in 70 countries and showcase its renowned lighting collections at the world's top design exhibitions.



GLASSWORKS



JANŠTEJN GLASSWORKS

For more than 200 years, Janštejn Glassworks, situated in Bohemia's picturesque Vysočina Region, has upheld a glassblowing tradition that dates to the end of the 17th century. Founded in 1809 near the village of Horní Dubenky, the factory and generations of tenacious craftspeople employed by it have enjoyed periods of prosperity, yet have also endured much hardship, with three devastating fires, two world wars, and nationalization among the greatest challenges. Today, Janštejn Glassworks is the largest producer of specialty lighting glass in the Czech Republic.



PEOPLE



JAN RABELL

“Nothing’s impossible; never say it can’t be done.”

Entrepreneur Jan Rabell is one of the most dynamic figures in the Czech Republic’s glassmaking industry. Born in Prague in 1965 to a Puerto Rican father and Czech mother, he grew up in his father’s homeland, returning to Prague to pursue a master’s degree in economics. He went on to hold various managing director posts in the field of finance and banking.

In 1997, he purchased the ailing Janštejn Glassworks and set about restoring its prestige and competitiveness primarily by introducing unconventional glassblowing techniques and production technologies.

In 2006, he founded the premium handblown glass lighting brand BROKIS, quickly developing it into one of the most important players in the market and exporting its products to countries around the world. Jan Rabell’s charisma, energy, and innovative vision continue to propel BROKIS and the Janštejn Glassworks steadily forward. The entire Rabell family are involved in the business, with wife, Petra, and son André playing especially important roles.



LUCIE KOLDOVA

“There are many things we can do without in life. Light is not one of them.”

BROKIS art director Lucie Koldova is an acclaimed Czech product and furniture designer. Her collaboration with BROKIS began in 2010 with the timeless Muffins and Balloons lighting collections, which she designed while living and working in Paris. The voluminous glass lights embody her charismatic, elegant style and quickly established BROKIS as an innovative producer of handblown glass lighting. She is the creative force behind the brand and is instrumental in shaping its product portfolio and image.

Her creations, objects of desire, include glass sculptures, glass lighting, poetic gallery pieces, and limited-series works. Breathtaking colours, unusual proportions, and vibrant formal contrasts seemingly move her work beyond the realm of the possible, a trademark at once apparent in lighting collections such as Balloons, Capsula, Whistle, and Mona. In addition to developing ever-more novel and exciting motifs, Lucie Koldova has introduced important technological and formal solutions that have enabled BROKIS to push the limits of handblown glass production.

**BROKIS
DESIGN BY
LUCIE KOLDOVA
DAN YEFFET
BORIS KLIMEK
CHIARAMONTE MARIN
LENKA DAMOVA
FUMIE SHIBATA**



The timeless Muffins collection represents an extraordinary lighting experience. Since its market debut, it has taken on an iconic status and become a symbol of the Brokis brand. The sublimity of the design lies in the masterful combination of delicately contoured glass and solid wood. The lights, featuring a billowing glass shade set in a handcrafted wood base together with a naked filament bulb, breathe new life into any space and elicit a festive ambience. The collection offers multiple shape and size variants as well as a broad palette of glass colours and woods.

DESIGN
Lucie Koldova, Dan Yeffet

MUFFINS







GLASS COLOUR / BAS

amber – transparent glass (CGC515)
cognac – transparent glass (CGC540)
violet – transparent glass (CGC554)
smoke brown – transparent glass (CGC538)
opaline – transparent glass (CGC38)
smoke grey – transparent glass (CGC516)
olive green – transparent glass (CGC2738)
transparent glass (CGC23)
triplex opal (CGC39)

GLASS SURFACE / ALL
glossy surface (CGSU66)

CABLE COLOUR / BAS

textile cable – white (CECL521)
textile cable – white US (CECL835)
textile cable – black (CECL519)
textile cable – black US (CECL834)
textile cable – red (CECL530)
textile cable – dark grey (CECL520)
textile cable – yellow (CECL606)
textile cable – light grey (CECL1918)

SURFACE FINISH / BAS

European Oak – untreated (CCS657)
European Oak – natural waxed (CCS518)
European Oak – clear coat (CCS972)

SURFACE FINISH / STA

European Oak – stained white (CCS680)
European Oak – stained black (CCS592)

SURFACE FINISH / ADD

Wenge (CCS2739)
satinated grey marble (CCS2740)
satinated red marble (CCS2742)
Rosewood (CCS2741)





BALLOONS

Balloons, a collection of timeless lights embodying rudimentary forms evoking images of hot air balloons, captivates with the beauty of large-format handblown glass and an elegant metal reflector hovering within. The design's charm lies in the use of two independent glass sections to achieve the impression of an integral whole. Lavish proportions and an elegant hand-pressed metal reflector are the collection's defining traits. The size of the largest shade pushes the very boundaries of glassblowing technology and illustrates the exceptional skill and craftsmanship of Bohemian glassmakers. The Balloons collection is one of the pillars of the Brokis portfolio. The lights come in three sizes. Balloons also make an outstanding sculptural statement during the day when they are switched off.

DESIGN

Lucie Koldova, Dan Yeffet









GLASS COLOUR / BAS
smoke brown - transparent glass (CGC538)
smoke grey - transparent glass (CGC516)
transparent glass (CGC23)

GLASS SURFACE / ALL
glossy surface (CGSU66)

SURFACE FINISH / BAS
white (CCS575)
lemon yellow (CCS613)
black (CCS582)
reflective orange (CCS574)

SURFACE FINISH / ADD
chrome (CCS275)
chrome brushed (CCS960)
chrome black (CCS959)
copper (CCS584)
brass (CCS69)

CABLE COLOUR / BAS
textile cable - white (CECL521)
textile cable - white US (CECL835)
textile cable - black (CECL519)
textile cable - black US (CECL834)
textile cable - red (CECL530)
textile cable - dark grey (CECL520)
textile cable - yellow (CECL606)
textile cable - light grey (CECL1918)



The Shadows collection is a take on the famed, timeless lights found in French ateliers, and its typology pays tribute to that legacy. The combination of handblown glass, handcrafted wood, and classic shaping has given rise to a light of ageless elegance. The collection comprises four different suspension lights, as striking alone as they are in sets, characterized by a handblown glass shade set upon on a handcrafted wooden body. The clean contours and finish are accentuated by the concealed light source. The Shadows collection is special not only for its wide spectrum of glass colour options, surface finishes, and types of wood but also because the lights can be combined into sets according to customer requirements. They are intended for interiors and, thanks to multiple combination possibilities, are well suited to a broad range of installations.

The contours of the Shadows XL collection stay true to the original Shadows collection but are nearly 50% bolder in their proportions. Both the Shadows and Shadows XL collections have special integrated connectors developed by Brokis to facilitate installation and cleaning.

DESIGN

Lucie Koldova, Dan Yeffet

SHADOWS

GLASS COLOUR / BAS

black - transparent glass (CGC602)
smoke brown - transparent glass (CGC538)
opaline - transparent glass (CGC38)
smoke grey - transparent glass (CGC516)
transparent glass (CGC23)
triple opal (CGC39)
pearl grey - opaline glass (CCG1916)

GLASS SURFACE / ALL

glossy surface (CGSU66)
acid-etched outer surface (CGSU67)

SURFACE FINISH / BAS

European Oak - stained white (CCS680)
European Oak - stained black (CCS592)
European Oak - untreated (CCS657)
European Oak - natural waxed (CCS518)
European Oak - clear coat (CCS972)

SURFACE FINISH / STA

American Walnut - natural waxed (CCS757)

CABLE COLOUR / BAS

textile cable - white (CECL521)
textile cable - white US (CECL835)
textile cable - black (CECL519)
textile cable - black US (CECL834)
textile cable - red (CECL530)
textile cable - dark grey (CECL520)
textile cable - yellow (CECL606)
textile cable - light grey (CECL1918)











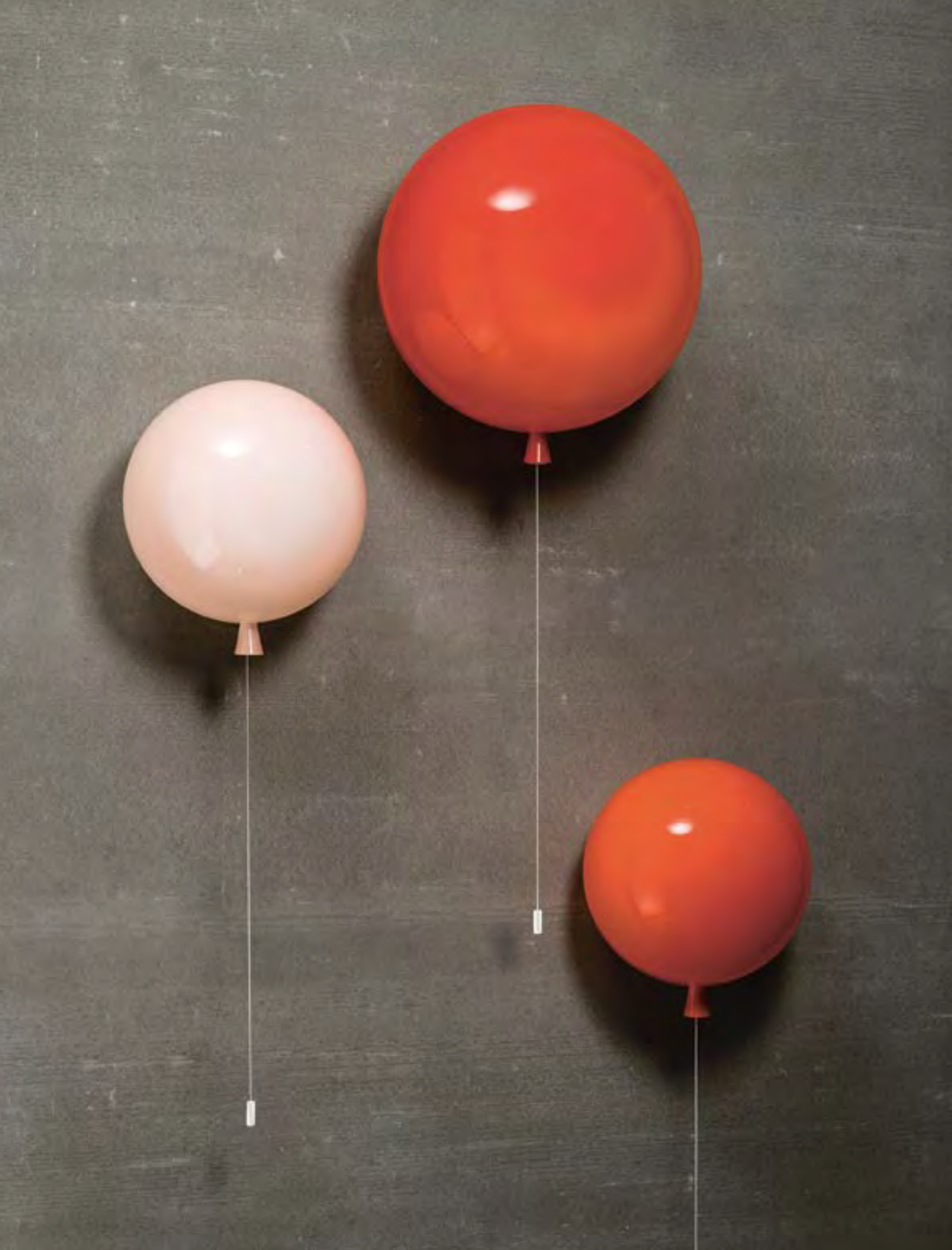
MEMORY

The Memory collection awakens the imagination and beckons back to a carefree childhood. The wall and ceiling versions in different sizes, the wide range of colour options, and a selection of finishes give this lighting experience a large degree of versatility. The illusion of inflated balloons is flawless right down to the dangling string, which serves to switch the light on and off. This is beauty in its simplest and most persuasive form. The Memory collection consists of ceiling and wall versions in three sizes. There are also sets that allow multiple lights to be combined on a single ceiling canopy. Unlike the other collections, Memory are not supplied with a light source.

DESIGN

Boris Klimek







GLASS COLOUR / BAS

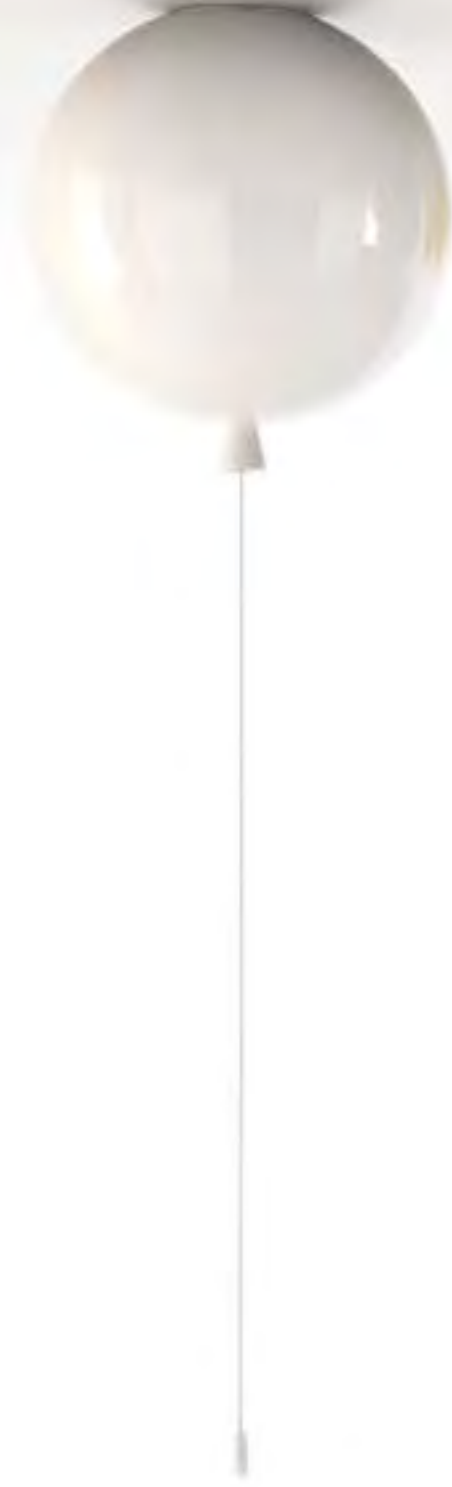
triplex opal (CGC39)

GLASS COLOUR / STA

red - triplex opal (CGC579)
blue - triplex opal (CGC28)
orange - triplex opal (CGC580)
light pink - triplex opal (CGC30)
grey - triplex opal (CGC617)
turquoise - triplex opal (CGC601)
green apple - triplex opal (CGC578)
yellow - triplex opal (CGC47)

GLASS SURFACE / ALL

glossy surface (CGSU66)
acid-etched inner and outer surface (CGSU881)







Capsula is a sophisticated and exhilarating light bearing resemblance to a plant cell or seed. The nucleus of the piece is a tubular triplex-glass LED light source, developed by Brokis, that transects the inner shade and translucent external shell to form a notional axis. The layering and overlapping of these three distinct components give rise to dramatic 3D optical effects. The end caps fasten the components together and serve as anchor points for the creative dual suspension straps, which also conceal the power cable and allow for variation in the final positioning of the light. The Capsula collection is offered in sets as well as individual lights that can be combined per customer requirements.

From spring 2018, Capsula is fitted with special integrated connectors developed by Brokis to facilitate installation and cleaning.

DESIGN
Lucie Koldova

CAPSULA











GLASS COLOUR / BAS

amber - transparent glass (CGC515)
cognac - transparent glass (CGC540)
red - transparent (CGC45)
violet - transparent glass (CGC554)
blue - transparent glass (CGC544)
opaline - transparent glass (CGC38)
orange - transparent glass (CGC157)
pearl grey - opaline glass (CGC1916)
smoke grey - transparent glass (CGC516)
transparent glass (CGC23)
yellow - transparent glass (CGC659)

GLASS SURFACE / ALL

glossy surface (CGSU66)
acid-etched both side surface (CGSU881)

COLOUR OF THE INNER GLASS / ALL

amber - transparent glass (CGC1686)
cognac - transparent glass (CGC12649)
red - transparent (CGC1913)
violet - transparent glass (CGC1683)
opaline - transparent glass (CGC1749)
orange - transparent glass (CGC1938)
pearl grey - opaline glass (CGC11914)
light blue - transparent glass (CGC1912)
smoke grey - transparent glass (CGC1685)
transparent glass (CGC1682)
yellow - transparent glass (CGC1681)

GLASS SURFACE OF THE INNER GLASS / ALL

glossy surface (CGSU906)
acid-etched inner and outer surface (CGSU905)

CABLE COLOUR / BAS

textile cable - light grey (CECL1918)
textile cable - black (CECL519)



The Mona collection is based on the concept of penetrating forms. The light source boldly traverses the ample volume of smooth handblown glass to reveal the thrilling tension inherent in the design. The collection's essence, however, lies in its unconventional construction and refined combination of materials. It also boasts dimmable tubular LED light sources, developed by Brokis, each with a different colour temperature.

The collection comprises several sizes (S, M, L, XL) and various types of lights (pendant, floor, table, wall).

DESIGN
Lucie Koldova

MONA







GLASS COLOUR / BAS
black - transparent glass (CGC602)
violet - transparent glass (CGC554)
opaline - transparent glass (CGC38)
smoke grey - transparent glass (CGC516)
transparent glass (CGC23)

GLASS SURFACE / ALL
glossy surface (CGSU66)

SURFACE FINISH / BAS
lamp body - white (CCS732)
lamp body - black (CCS727)
aluminium (CCS775)
silver elox (CCS1917)
black elox (CCS1948)
iron - white matt powder coating (CCS845)

STRAPS / ADD
leather straps - natural (GINT788)
leather straps - dark brown (GINT793)
leather straps - black (GINT792)
leather straps - grey (GINT758)

CABLE COLOUR / BAS
textile cable - white (CECL521)
textile cable - black (CECL519)









WHISTLE

The Whistle collection is, quite literally, a living reference to the work of glassmakers, as inspiration for the design was taken from the blowpipe, which in Czech is known as a glassmaker's whistle. The lucid body of the piece traces the silhouette of a cone of light, and a distinct spotlight with hand-pressed metal shield constitutes its imaginary heart. The overall shape and the naked cable winding its way up through the body of the light define the character of its simplistic technical form.

The collection comprises a suspension light in two sizes as well as a set of three lights.

From March 2018, Whistle is fitted with special integrated connectors developed by Brokis to facilitate installation and cleaning.

DESIGN

Lucie Koldova







GLASS COLOUR / BAS

smoke brown – transparent glass (CGC538)
opaline – transparent glass (CGC38)
smoke grey – transparent glass (CGC516)
transparent glass (CGC23)

GLASS SURFACE / ALL

glossy surface (CGSU66)

SURFACE FINISH / BAS

white (CCS575)
black (CCS582)
magenta (CCS724)
menthol (CCS723)
grey (CCS720)

SURFACE FINISH / ADD

chrome (CCS275)
copper (CCS584)
brass (CCS69)

CABLE COLOUR / BAS

textile cable – white (CECL521)
textile cable – white US (CECL835)
textile cable – black (CECL519)
textile cable – black US (CECL834)
textile cable – magenta (CECL726)
textile cable – menthol (CECL725)
textile cable – dark grey (CECL520)
textile cable – light grey (CECL1918)







Inspired by the abandon and freedom of bird flight, the innovative Night Birds suspension lights impart poetic enchantment and unparalleled dynamism to any interior. Night Birds differ from the other collections in the unique technology applied in production, which involves melting glass into a mould and then bending it. The process makes it possible to instill delicate nuances in the shape of the wings and achieve a coloration of the glass that is different and wholly unique each time. The collection's restraint and directness are underscored by the minimalist LED light source set in a body of lacquered and polished aluminium. The Night Birds collection comprises three lights with different wing attitudes depicting the various phases of bird flight. The lights are available in white and dark variants. Night Birds work best in large flocks.

DESIGN
Boris Klimek

NIGHT BIRDS

GLASS COLOUR / BAS

opal - opaque glass - massif (CGC772)

smoke grey - massif (CGC882)

GLASS COLOUR / STA

smoke grey BROKISGLASS matt (CGC1480)

triplex opal BROKISGLASS matt (CGC1478)

CABLE COLOUR / BAS

textile cable - black (CECL519)

textile cable - black US (CECL834)

transparent cable (CECL149)

textile cable - white (CECL521)

textile cable - light grey (CECL1918)









LIGHTLINE

In its every component, the Lightline collection is a celebration of glass as an artistic medium. The concept of a line of light is rooted in the varying characteristics of the material and its forms. The design employs the effect of light uniformly dispersed over a sandblasted surface, which in profile creates the impression of a luminous line. The LED light source is embedded in the base beneath a metal and triplex-opal glass shroud. The upper surface, sandblasted by hand, is treated with a special nano coating to prevent the accumulation of dust and smudges. The collection comprises four table lamps that cast a light of intimate character.

DESIGN

Lucie Koldova



GLASS COLOUR / BAS

amber – transparent glass (CGC515)
red – transparent (CGC45)
violet – transparent glass (CGC554)
blue – transparent glass (CGC544)
opaline – transparent glass (CGC38)
orange – transparent glass (CGC157)
smoke grey – transparent glass (CGC516)
menthol – transparent glass (CGC2184)
transparent glass (CGC23)

GLASS SURFACE / BAS

glossy – sandblasted top part (CGSU806)

COLOUR OF THE BOTTOM PART / BAS

dark smoke grey – transparent glass (CGGB813)
transparent glass (CGGB812)

GLASS SURFACE OF THE BOTTOM PART / BAS

glossy surface (CGSUB890)
acid-etched both side surface (CGSUB891)

CABLE COLOUR / BAS

textile cable – light grey (CECL1918)
textile cable – black (CECL519)
textile cable – dark grey (CECL520)
textile cable – light grey (CECL1918)









KNOT

— Knot is a collection of stately pendant lights that oppose two dramatically dissimilar materials. The design combines coarse natural fibre with smooth, transparent blown glass to arouse a contrast as striking as it is dignified. Full-bodied globes of varying shapes and sizes are penetrated by robust cords that seemingly pull the bottom of the glass inward for a bemusing plastic effect. The LED light source is housed in a handsome top hood, which, like the cord end cap, is fashioned in refined metal. The collection comprises four pendant lights of different shapes available in two sizes.

— DESIGN

Chiaromonte Marin Design Studio













GLASS COLOUR / BAS
smoke brown – transparent glass (CGC538)
opaline – transparent glass (CGC38)
smoke grey – transparent glass (CGC516)
transparent glass (CGC23)

GLASS SURFACE / ALL
glossy surface (CGSU66)

GLASS SURFACE / BAS
matt inner glass surface (CGSU880)

SURFACE FINISH / BAS
chrome black (CCS959)
copper (CCS584)
brass (CCS69)
brushed stainless steel (CCS68)

ROPE / BAS
rope – natural (CRP970)





Puro is boldly minimalistic variation on atmospheric pendant lights. Inspiration for the collection and its name come from the Spanish word for "cigar", which also means "pure" and is a reference to the composition's clean lines. The design creates an intriguing interplay between horizontal and vertical luminous cigar tubes levitating in space above simple bell lights. The diffused glow of the tubes combines with that of the bells to elicit a dynamic ambience, while the alternating gloss and matte finishes provide a degree of provocation. PURO offers atmospheric room lighting as well as lighting for offices, hospitality interiors, and private dining areas. The collection comprises a single bell light suspended beneath a vertical tube and dual bell lights suspended beneath a horizontal tube. Single tubes can be used to create amazing installations, such as a screen to divide space and evoke an intimate atmosphere bordering on scenography. The endless variability of the Puro collection gives rise to new lighting objects for any interior. Puro have special integrated connectors developed by Brokis for improved variability and ease of installation and cleaning.

DESIGN
Lucie Koldova

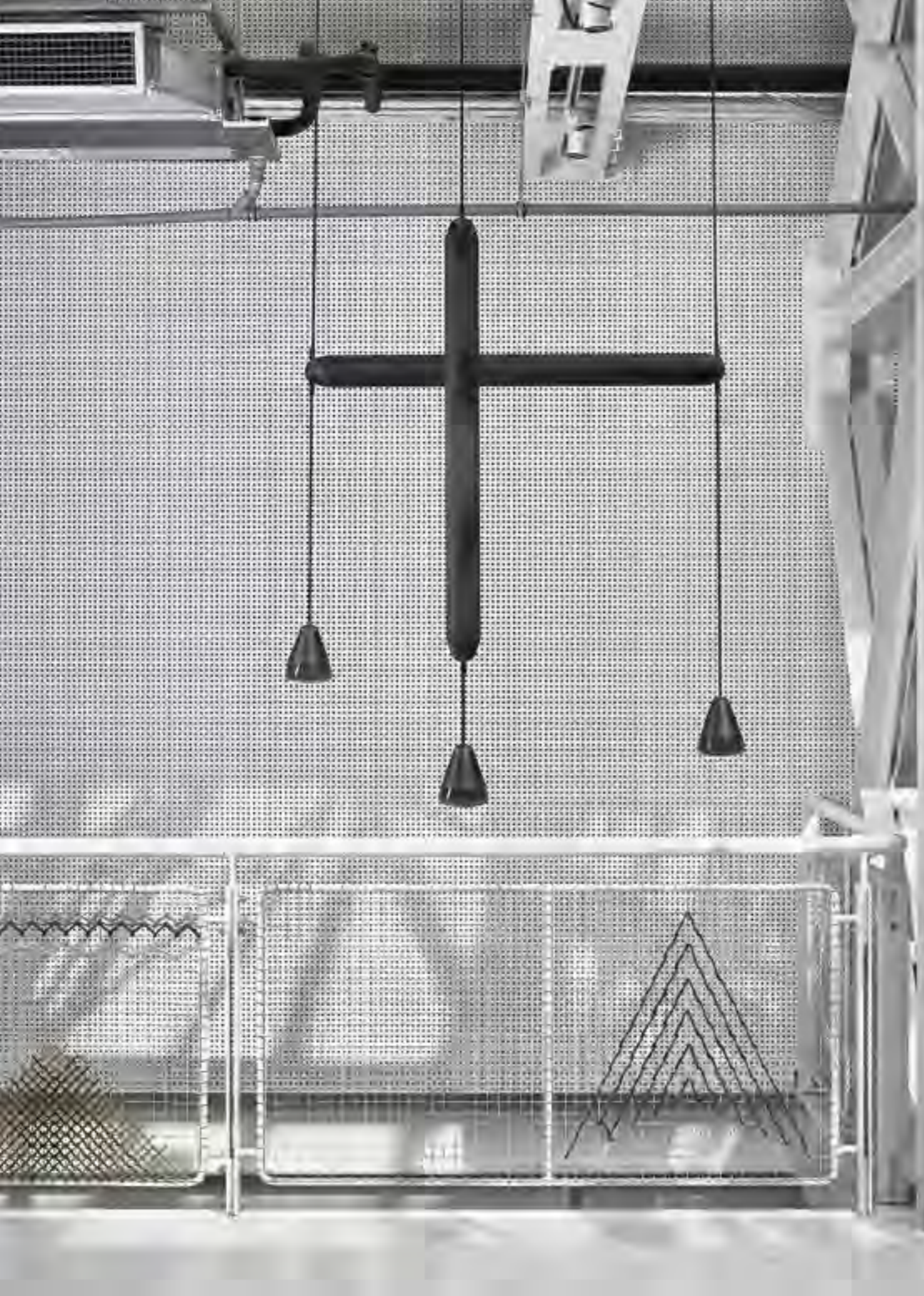
PURO











GLASS COLOUR / BAS
triplex opal (CGC39)

GLASS COLOUR / STA
dark grey - opaline (CGC1507)

GLASS SURFACE / BAS
acid-etched both side surface (CGSU881)

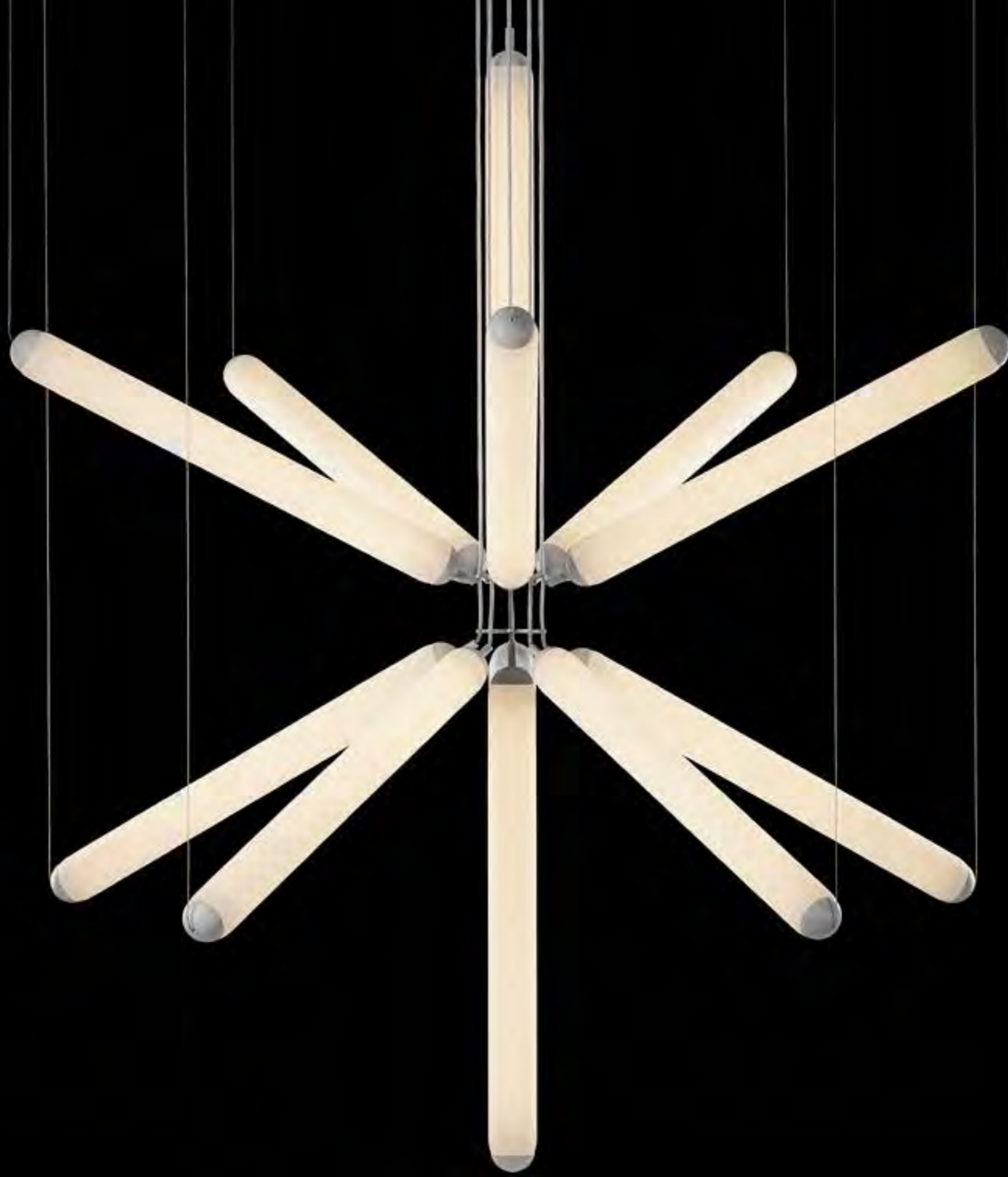
GLASS - PURO SPOTLIGHT / BAS
smoke grey - transparent glass (CGGB977)
transparent glass (CGGB812)
triplex opal (CGGB979)

GLASS SURFACE OF THE PURO SPOTLIGHT / BAS
glossy surface (CGSUB890)
acid-etched both side surface (CGSUB891)

GLASS - PURO SPOTLIGHT / STA
dark grey - opaline (CGC1507)

GLASS - PURO SPOTLIGHT / STA
acid-etched both side surface (CGSUB891)

CABLE COLOUR / BAS
textile cable - white (CECL521)
textile cable - black (CECL519)



MACARON

The Macaron table light pays homage to the beauty and complex structures of crystalline stone. Enclosed in opposing domes of delicate handblown glass, the stone becomes a moonscape afloat in its own cosmos. The light source casts its glow upward from the onyx base to energize the meandering chalcedony veins in the centre onyx plate and create a subtle and mesmerizing lighting effect. The concept is based on the principle of illuminating stone, and the name refers to the light's similarity in shape to the famed French meringue confection. Natural imperfections in the glass and the diversity of structures in the stone make each light a unique original. The purity of the natural materials and the artanship applied in processing them have given rise to a light of extraordinary ambience. Produced using traditional techniques, Macaron is characteristic of the distinctive and enduring aesthetic of the Brokis brand. Macaron comes in three sizes – the largest of which also makes an attractive floor light – and in several glass colour options with either white or honey onyx.

The collection offers an alternate version featuring a centre plate made of kiln cast glass shards in combination with a wooden base.

DESIGN

Lucie Koldova







GLASS COLOUR / BAS

amber – transparent glass (CGC515)
light pink – transparent glass (CGC46)
smoke grey – transparent glass (CGC516)
dark rosé – transparent glass (CGC1625)
transparent glass (CGC23)

BASE SURFACE / BAS

European Oak – stained white (CSFB1575)
European Oak – stained black (CSFB1574)

BASE SURFACE / ADD

onyx – white (CSFB1535)
onyx – honey (CSFB1576)

PLATE SURFACE / BAS

BROKISGLASS – smoke grey matt (CSOP1577)
BROKISGLASS – triplex opal matt (CSOP1578)

PLATE SURFACE / ADD

onyx – white (CSOP1532)
onyx – honey (CSOP1533)

CABLE COLOUR / BAS

textile cable – white (CECL521)
textile cable – black (CECL519)
textile cable – dark grey (CECL520)
textile cable – light grey (CECL1918)





JACK O'LANTERN

This modern lighting element with marble base, metal frames and a "pearl" placed inside, designed by Lucie Koldova, rounds out the variable Jack O'Lantern family. The new table version combines the beauty of handblown acid-etched glass in smoke grey, light pink or triplex opal colours with marble base Carrara or satinated Nero Marquina, in frames with copper, chrome or chrome black liquid metal coating.

The Jack O'Lantern Table is available in two sizes and its Small version comes in size of 325 x 260 mm. This subtle and geometrically balanced light offers a wide variety of combinations. It can be hung separately or in vertical lighting arrangements. In addition to the suspension variant, there is also a wall composition comprising five frames joined in a single module for up to five glass spheres, which rely on nothing more than gravity to stay in place.

DESIGN

Lucie Koldova





GLASS COLOUR / BAS

smoke grey – transparent glass (CGC516)
triplex opal (CGC39)
light pink – transparent glass (CGC46)

GLASS SURFACE / ALL

acid-etched both side surface (CGSU881)

COLOUR OF THE BOTTOM PART / BAS

satinated Carrara marble (CGGB2361)
satinated Nero Marquina marble (CGGB2360)
satinated red marble (CGGB2682)
satinated grey marble (CGGB2681)

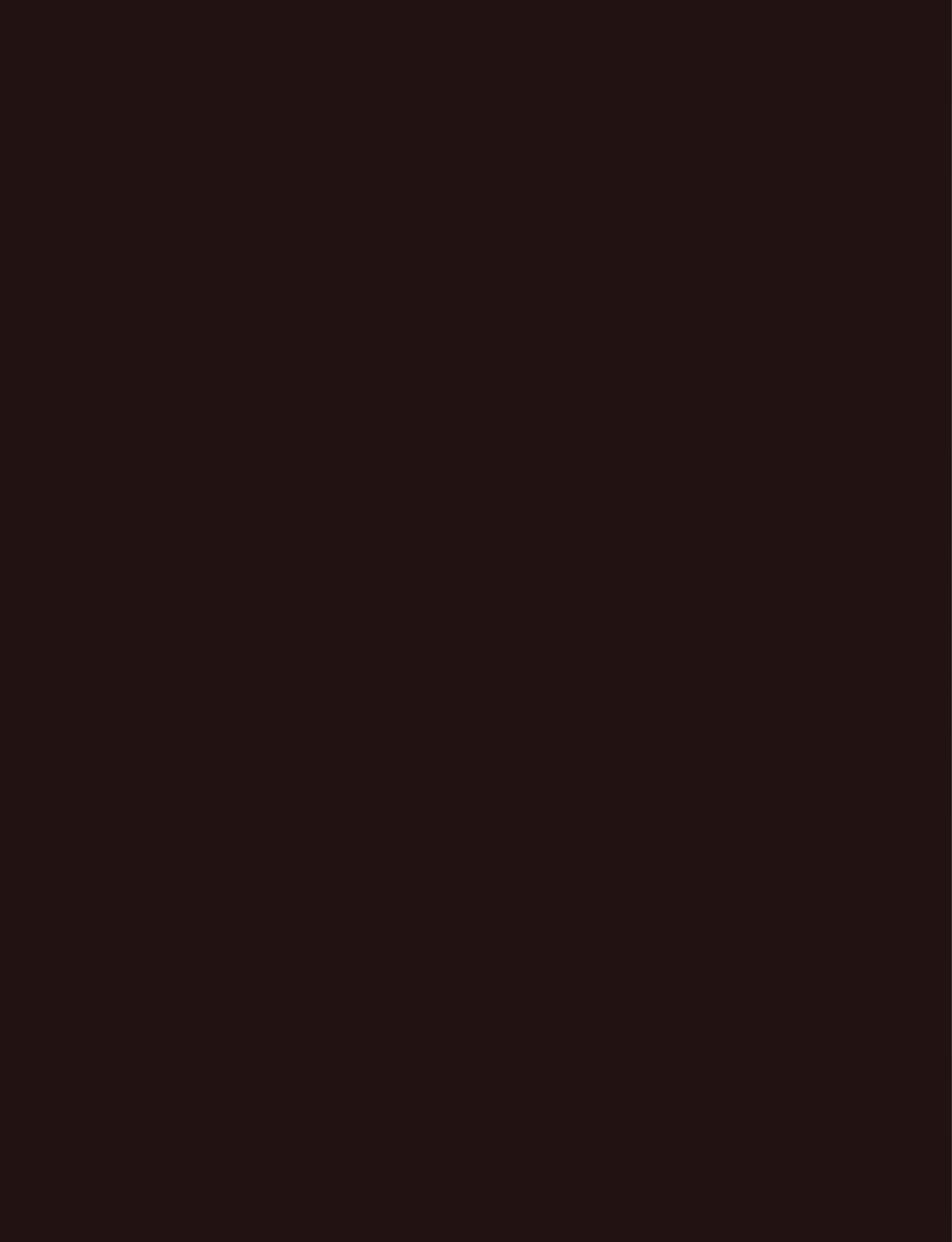
SURFACE FINISH / BAS

liquid metal coating – copper (CCS2353)
liquid metal coating – chrome (CCS2354)
liquid metal coating – black chrome (CCS2355)
black matt powder coating with structure (CCS2673)

CABLE COLOUR / BAS

textile cable – black (CECL519)
textile cable – white (CECL521)
textile cable – light grey (CECL1918)











BIG ONE

This new large-format light with a matte core by designer Lucie Koldova embodies a gentle poetry, simplicity, purity, and balanced proportions. A key role is played by the insolation of luminous bodies and their mutual interaction in space.

The sophisticated design of a bubble suspended in the centre of a large sphere evokes a sense of levitation. Outer glass available with glossy finish in colours: transparent and smoke grey transparent. The inner glass comes in matte finish in colours: triplex opal, smoke grey transparent, red transparent and light pink transparent. Big One collection is available in two sizes.

DESIGN

Lucie Koldova







GLASS COLOUR / BAS
transparent glass (CGC23)
smoke grey - transparent glass (CGC516)

GLASS SURFACE / BAS
glossy surface (CGSU66)

COLOUR OF THE INNER GLASS / BAS
smoke grey - transparent glass (CGCI685)
red - transparent (CGCI913)
pearl grey - opaline glass (CGCI1914)
light pink - transparent glass (CGCI2356)
triple opal (CGCI907)

GLASS SURFACE OF THE INNER GLASS / BAS
acid-etched both side surface (CGSU905)

SURFACE FINISH / ALL
brushed stainless steel (CCS68)

CABLE COLOUR / BAS
textile cable - black (CECL519)
textile cable - white (CECL521)
textile cable - light grey (CECL1918)





Nature and its life-giving beauty and strength serve as the model for a unique lighting concept called IVY. Just as the plant grows and climbs up the walls of a house, creating multiple images, IVY offers a special system of modular components, thanks to which it can be used to achieve a highly innovative take on decorative lighting in both vertical and horizontal compositions.

The collection features three sizes in opal or smoke glass. Variable, elegant, and precise in workmanship all the way down to the smallest detail, IVY is a high-tech lighting concept well suited to both commercial and residential applications. In intimate home settings, for example, a single elegant branch can be used, or multiple branches can be joined together to create a curtain of light. IVY has many forms and justly takes its place among artistic, so-called bespoke, lighting installations

DESIGN
Lucie Koldova

IVY



GLASS COLOUR / BAS
smoke grey - transparent glass (CGC516)
triple opal (CGC39)
light pink - transparent glass (CGC46)

GLASS SURFACE / ALL
acid-etched both side surface (CGSU881)

SURFACE FINISH / BAS
white (CCS575)
iron - anthracite grey matt powder coating
(CCS2675)

CABLE COLOUR / BAS
textile cable - black (CECL519)
textile cable - white (CECL521)
cable without textile - black (CECL2719)







AWWA

A ball made from air wrapped in liquid is called "Awa" in Japanese. This design sprung from the idea of creating lighting that looks like soft glass which has retained its shape after being inflated. I hope it gives the impression of seeing a ball of air floating when you look up. Another characteristic of this design is that its wood and metal parts look made of glass, as if they were stoppers (corks) for the air.

DESIGN
Fumie Shibata









GLASS COLOUR / BAS
transparent glass (CGC23)
smoke grey – transparent glass (CGC516)
smoke brown – transparent glass (CGC538)

GLASS SURFACE / ALL
glossy surface (CGSU66)

SURFACE FINISH / BAS
copper (CCS584)
aluminium (CCS775)
European Oak – natural waxed (CCS518)
American Walnut – natural waxed (CCS757)

CABLE COLOUR / BAS
textile cable – black (CECL519)
textile cable – light grey (CECL1918)



GEOMETRIC

Geometric accentuates the aesthetic expression and structure of BROKISGLASS, which itself is remarkably distinctive. The collection is defined by basic geometric shapes that characterize the overall contours of the lights and instil them with a singular graphic element to achieve a striking contrast with the animate, almost sculptural makeup of the glass. The suspension components make up the glass geometric shapes, their edges rendered in black profiles.

The graphic aesthetics of the collection allow the lights to be arranged in a great number of final shapes – circle, oval, square – either as solitary lights or as a sort of jigsaw puzzle, which in the hands of architects can result in an endless variety of lighting combinations. Thus, the concept surpasses its primary function as a lighting fixture and opens the door to large-format blocks of light and other uncommon compositions.

For the majority of the solitary lights, each side can be finished in glass of a different colour for even greater variability and originality.

DESIGN

Lenka Damova, Boris Klimek

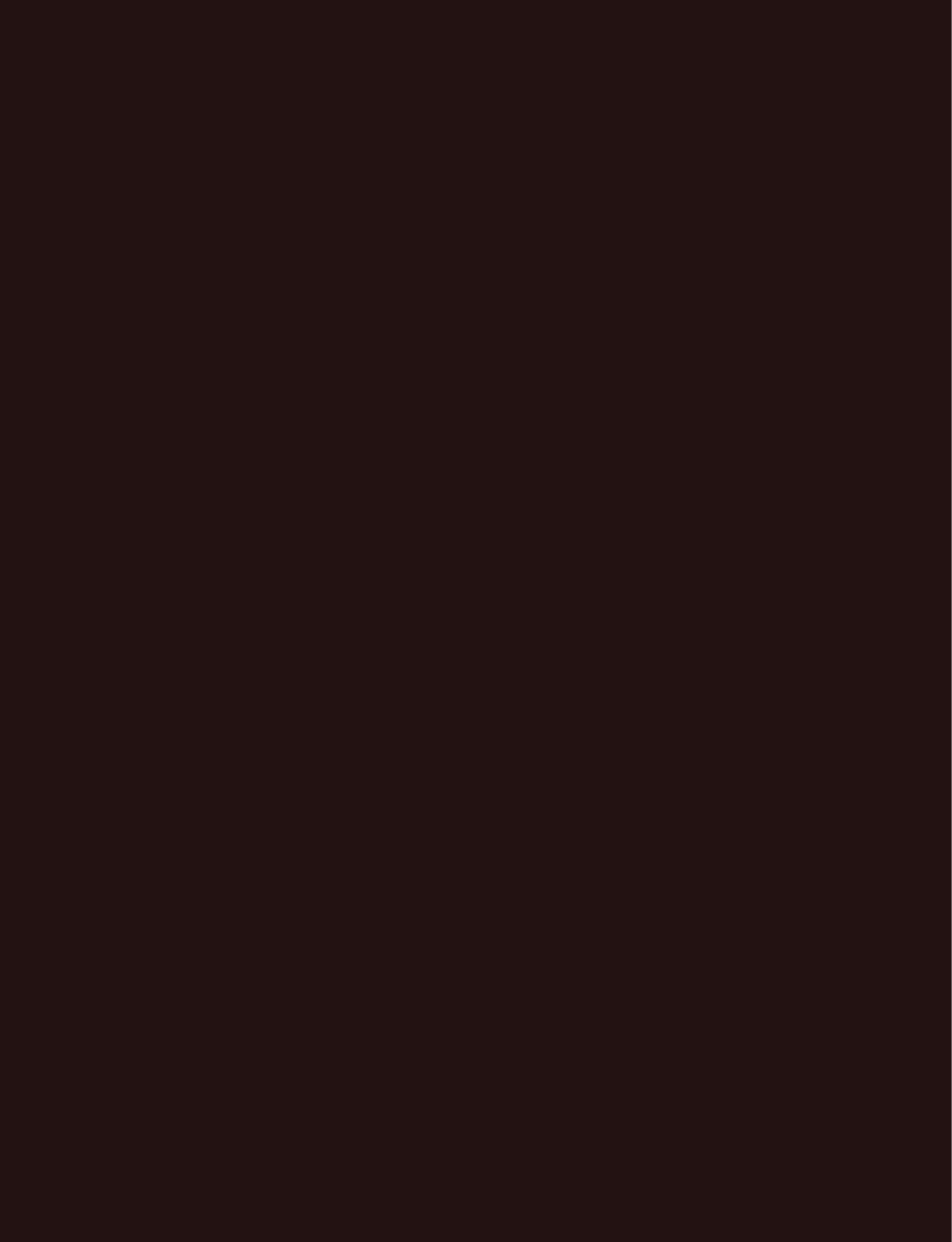


GLASS COLOUR / BAS
triple opal BROKISGLASS (CGC2676)
smoke grey BROKISGLASS (CGC2677)
smoke brown BROKISGLASS (CGC2720)

GLASS SURFACE / BAS
glossy surface (CGSU2736)
acid-etched surface (CGSU2737)

SURFACE FINISH / BAS
iron - black matt powder coating (CCS846)
iron - white matt powder coating (CCS845)
iron - anthracite grey matt powder coating (CCS2675)









Subtle lines in glass. Solid wood. Masterful craftsmanship. Not only will the Muffins Candleholder reveal something of your sense for detail and exquisite design, it will also lend your room a festive air both day and night. The Muffins Candleholder is part of the iconic Muffins lighting collection, an emblem of the BROKIS brand, and comes in a variety of wood and glass colours.

DESIGN
Lucie Koldova, Dan Yeffet

MUFFINS CANDLEHOLDER

GLASS COLOUR / BAS

transparent glass (CGC23)
smoke grey - transparent glass (CGC516)
smoke brown - transparent glass (CGC538)
opaline - transparent glass (CGC38)
cognac - transparent glass (CGC540)
violet - transparent glass (CGC554)
orange - transparent glass (CGC157)

SURFACE FINISH / BAS

European Oak - clear coat (CCS972)
European Oak - stained black (CCS592)

SURFACE FINISH / STA

American Walnut - natural waxed (CCS757)



p. 12 PH1359
 Muffins - wood 02 - PC850 (CGC554, CGSU66, CCS2741)
 Muffins - wood 01 - PC849 (CGC2738, CGSU66, CCS2739)

p. 14-15 PH946
 Muffins - wood 03A - PC852 (CGC516, CGSU66, CCS680)
 Muffins - mini wood 06 - PC910 (CGC38, CGSU66, CCS680)
 Muffins - wood 01 - PC849 (CGC39, CGSU66, CCS680)
 Muffins - wood 01 - PC849 (CGC23, CGSU66, CCS680)
 Muffins - wood 04 - PC853 (CGC23, CGSU66, CCS680)
 Muffins - wood 02 - PC850 (CGC38, CGSU66, CCS680)

p. 16 PH943
 Muffins - wood 01 - PC849, Muffins - mini wood 06 - PC910,
 Muffins - wood 02 - PC850 (CGC516, CGSU66, CCS518)

p. 18-19 PH1360
 Muffins - wood 02 - PC850 (CGC554, CGSU66, CCS2741)
 Muffins - wood 01 - PC849 (CGC2738, CGSU66, CCS2739)
 Muffins - wood 01 - PC849 (CGC554, CGSU66, CCS2741)

p. 21 PH1361
 Muffins - wood 02 - PC850 (CGC516, CGSU66, CCS592)
 Muffins - wood 04 - PC853 (CGC516, CGSU66, CCS592)

p. 22-23 PH956
 Muffins - mini wood 06 - PC910 (CGC23, CGSU66, CCS757)
 Muffins - wood 05P - PC865 (CGC23, CGSU66, CCS757, CCSC842)
 Muffins - wood 01 - PC849 (CGC516, CGSU66, CCS757)
 Muffins - wood 04 - PC853 (CGC516, CGSU66, CCS757)
 Muffins - wood 01 - PC849 (CGC23, CGSU66, CCS757)
 Muffins - wood 02 - PC850 (CGC516, CGSU66, CCS757)
 Muffins - wood 03B - PC851 (CGC516, CGSU66, CCS757, CCSC842)
 Muffins - wood 03A - PC852 (CGC23, CGSU66, CCS757)
 Muffins - mini wood 06 - PC910 (CGC516, CGSU66, CCS757)

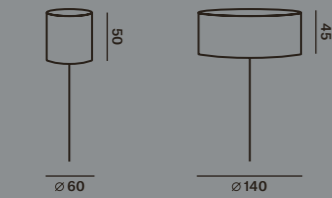
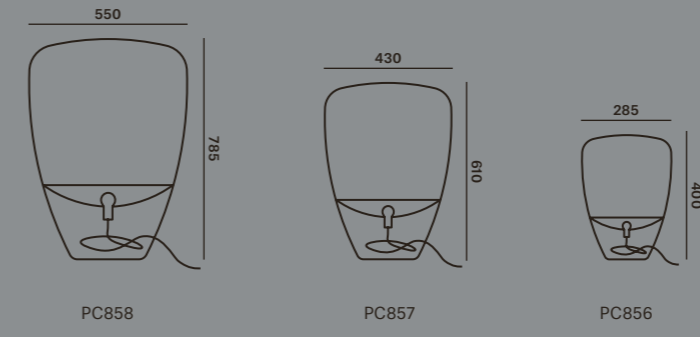
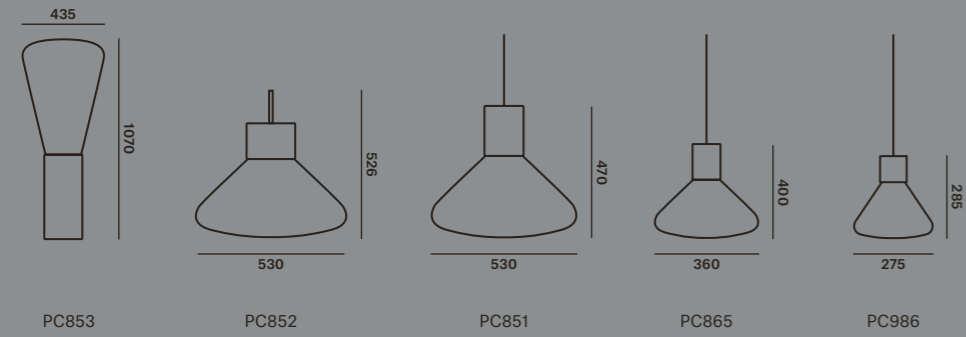
p. 25 PH21
 Balloons - small - PC856 (CGC538, CGSU66, CCS69)

p. 26-27 PH680
 Balloons - small - PC856 (CGC516, CGSU66, CCS960)
 Balloons - small - PC856 (CGC538, CGSU66, CCS69)
 Balloons - small - PC856 (CGC23, CGSU66, CCS275)

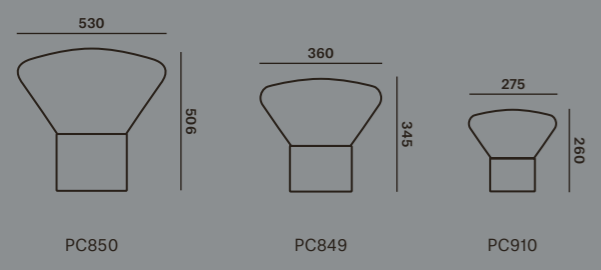
p. 28 PH689
 Balloons - small - PC856 (CGC23, CGCU66, CCS584)
 Balloons - medium - PC857 (CGC23, CGCU66, CCS584)

p. 29 PH691
 Balloons - small - PC856 (CGC23, CGSU66, CCS584)
 Balloons - large - PC858 (CGC23, CGSU66, CCS584)
 Balloons - small - PC856 (CGC23, CGSU66, CCS584)

p. 30-31 PH1179
 Balloons - small - PC856 (CGC516, CGSU66, CCS582)
 Balloons - large - PC858 (CGC516, CGSU66, CCS584)
 Balloons - small - PC856 (CGC516, CGSU66, CCS584)
 Balloons - medium - PC857 (CGC516, CGSU66, CCS582)



Canopy for PC851, PC865, PC986
 Optional on request



p. 32 PH1072
Shadows – rectangular set – PC921 (CGC602, CGSU66, CCS592, CCSC619)

p. 34–35 PH1368
Shadows – PC895, PC897, PC894, PC897 (CGC538, CGSU66, CCS757)

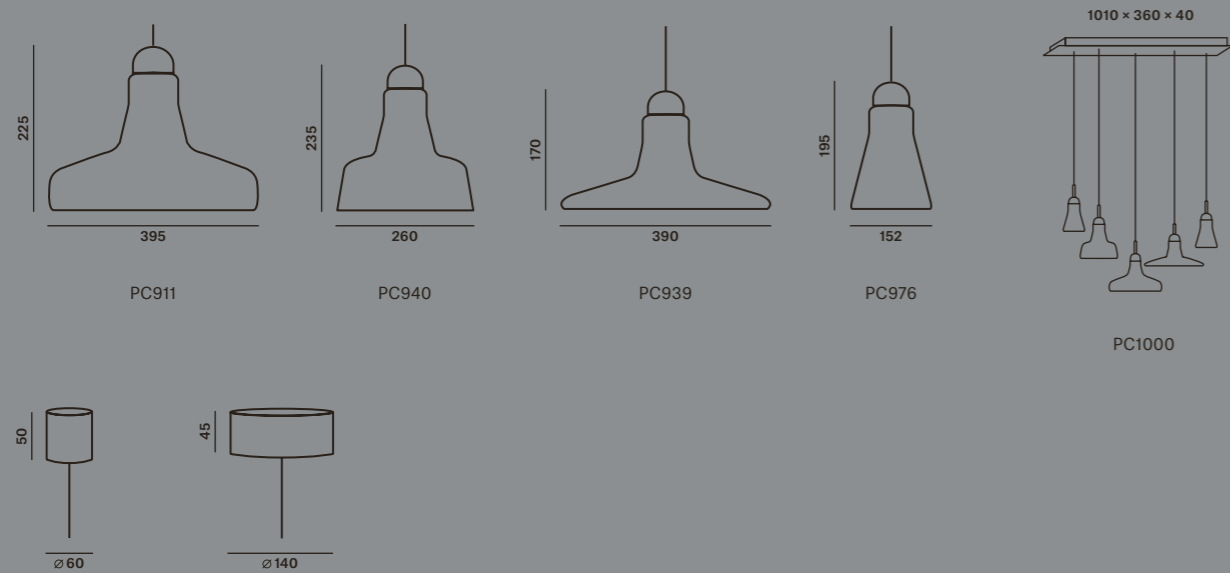
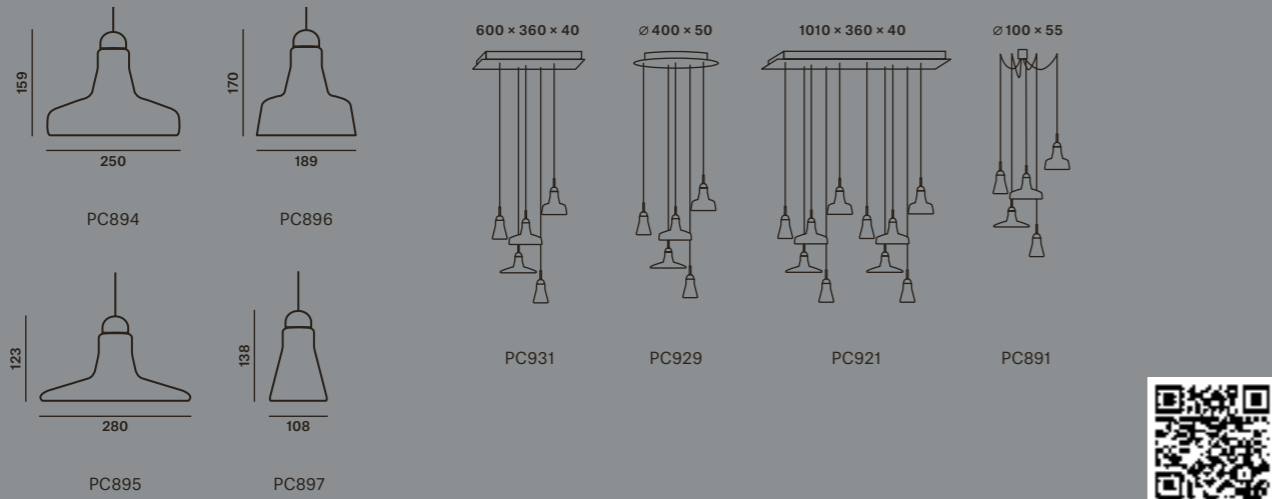
p. 36 PH1369
set up from Shadows free set – PC897, PC894, PC896, PC895 (CGC602, CGSU66, CCS592, CCSC839)

p. 38 PH1071
Shadows – PC895, PC897, PC897, PC896, PC894 (CGC38, CGSU66, CCS518)

p. 39 PH1075
Shadows – PC895, PC894, PC896, PC895, PC897 (CGC38, CGSU66, CCS518)

p. 40–41 PH1074
set up Shadows, Shadows XL collections (CGC516, CGSU66, CCS592)
Whistle collection (CGC516, CCS582)

p. 43 PH1367
Shadows – PC894, PC896, PC895, PC897 (CGC602, CGSU67, CCS592)



Canopy for single lights is included for all Shadows and Shadows XL sizes.

Optional on request



p. 45 PH898
Memory – wall – PC879 (CGC39, CGSU66, CEE777)

p. 46 PH1349
Memory – wall – PC881 (CGC30, CGSU66, CEE777)
Memory – wall – PC879 (CGC580, CGSU66, CEE777)
Memory – wall – PC881 (CGC580, CGSU66, CEE777)

p. 47 PH899
Memory – set large – PC1002 (3 x CGC39, CGSU66, CEE778, 1 x CGC580, CGSU66, CEE778, 1 x CGC617, CGSU66, CEE778)

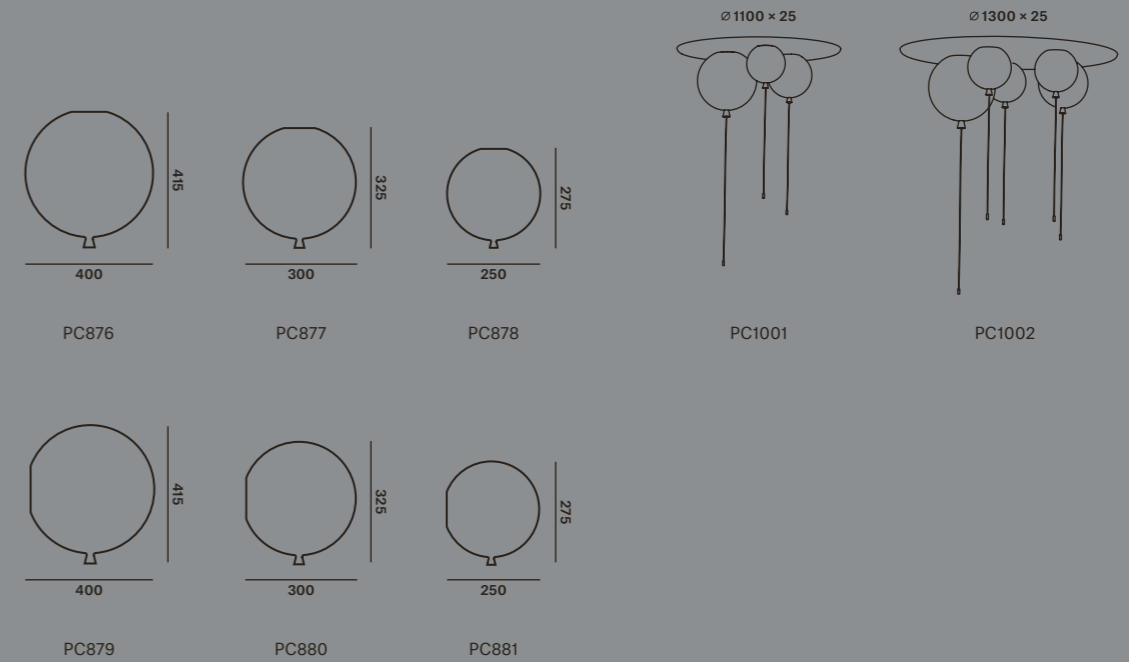
p. 48 PH896
Memory – ceiling – PC878 (CGC39, CGSU881, CEE778)
Memory – ceiling – PC878 (CGC30, CGSU881, CEE778)
Memory – ceiling – PC878 (CGC617, CGSU881, CEE778)

p. 49 PH1350
Memory – ceiling – PC877 (CGC39, CGSU880, CEE777)

p. 50–51 PH1348
Memory – ceiling – PC877 (CGC39, CGSU66, CEE777)
Memory – ceiling – PC878 (CGC47, CGSU66, CEE777)
Memory – ceiling – PC876 (CGC617, CGSU66, CEE777)
Memory – ceiling – PC876 (CGC47, CGSU66, CEE777)
Memory – ceiling – PC878 (CGC39, CGSU66, CEE777)
Memory – ceiling – PC877 (CGC617, CGSU66, CEE777)
Memory – ceiling – PC876 (CGC47, CGSU66, CEE777)

p. 52 PH1351
Memory – ceiling – PC878 (CGC601, CGSU881, CEE777)

p. 53 PH889
set up
Memory – wall (CGC39, CGSU66, CEE777)



p. 54 PH1325
Capsula - PC937
(CGC516, CGSU881, CGCI685, CGSUI905, CCS1948)
Capsula - PC937
(CGC554, CGSU881, CGCI683, CGSUI905, CCS1948)

p. 56—57 PH1226
Capsula - PC937
(CGC23, CGSU66, CGCI938, CGSUI905, CCS1948)
Capsula - PC937
(CGC23, CGSU66, CGCI685, CGSUI905, CCS1948)
Capsula - PC937
(CGC23, CGSU66, CGCI749, CGSUI906, CCS1948)
Capsula - PC937
(CGC23, CGSU66, CGCI938, CGSUI905, CCS1948)

p. 58 PH1241
Capsula - PC937
(CGC23, CGSU66, CGCI683, CGSUI905, CCS1948)
Capsula - PC937
(CGC23, CGSU66, CGCI685, CGSUI905, CCS1948)
Capsula - PC937
(CGC23, CGSU66, CGCI749, CGSUI905, CCS1948)

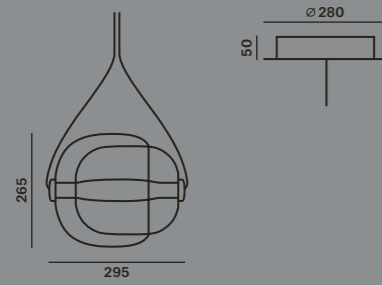
p. 59 PH1231
Capsula - PC937
(CGC23, CGSU66, CGCI683, CGSUI905, CCS1948)
Capsula - PC937
(CGC23, CGSU66, CGCI685, CGSUI905, CCS1948)
Capsula - PC937
(CGC23, CGSU66, CGCI749, CGSUI906, CCS1948)
Capsula - PC937
(CGC23, CGSU66, CGCI683, CGSUI905, CCS1948)

p. 61 PH712
Capsula - PC937
(CGC23, CGSU66, CGCI912, CGSUI906, CCS1948)
Capsula - PC937
(CGC23, CGSU66, CGCI912, CGSUI905, CCS1948)
Capsula - PC937
(CGC23, CGSU66, CGCI749, CGSUI906, CCS1948)

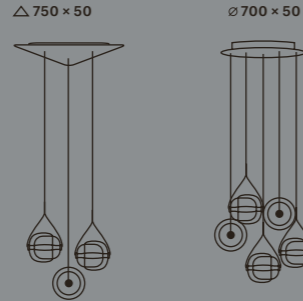
p. 62 PH1234
Capsula - PC937
(CGC38, CGSU66, CGCI749, CGSUI905, CCS1917)
Capsula - PC937
(CGC38, CGSU66, CGCI749, CGSUI905, CCS1917)
Capsula - PC937
(CGC38, CGSU66, CGCI749, CGSUI905, CCS1917)

p. 63 PH1209
Capsula - PC937
(CGC23, CGSU66, CGCI681, CGSUI905, CCS1948)
Capsula - PC937
(CGC23, CGSU66, CGCI686, CGSUI905, CCS1948)
Capsula - PC937
(CGC23, CGSU66, CGCI913, CGSUI905, CCS1948)

p. 64—65 PH714
Capsula - PC937
(CGC23, CGSU66, CGCI913, CGSUI905, CCS1948)
Capsula - PC937
(CGC23, CGSU66, CGCI913, CGSUI906, CCS1948)
Capsula - PC937
(CGC23, CGSU66, CGCI913, CGSUI906, CCS1948)



PC937



PC943

PC966

p. 66 PH927
Mona - pendent XL - PC1030 (CGC602, CCS1948, GINT792)

p. 68 PH1354
Mona - pendent XL - PC1030 (CGC516, CCS1948, GINT793)
Mona - pendent M - PC979 (CGC516, CCS1948, GINT793)

p. 69 PH1357
Mona - pendent L - PC938 (CGC516, CCS1948, GINT758)

p. 71 PH930
Mona - pendent M - PC979 (CGC516, CCS1948, GINT792)
Mona - pendent M - PC979 (CGC516, CCS1948, GINT792)

p. 72—73 PH1358
Mona - pendent L - PC938 (CGC516, CCS1948, GINT758)
Mona - pendent L - PC938 (CGC602, CCS1948, GINT792)
Mona - pendent L - PC938 (CGC38, CCS845, GINT788)

p. 74 PH929
Mona - pendent M - PC979 (CGC602, CCS1948, GINT792)

p. 75 PH913
Mona - wall S - PC969 (CGC38, CCS845, CCS732)

p. 77 PH1393
Mona - table S - PC950 (CGC38, CCS845, CCS732)

p. 78 PH926
Mona - pendent M - PC979 (CGC602, CCS1948, GINT792)
Mona - pendent XL - PC1030 (CGC602, CCS1948, GINT792)
Mona - pendent L - PC938 (CGC602, CCS1948, GINT792)

p. 79 PH1356
Mona - floor M - PC980 (CGC602, CCS1948, CCS727)



PC949



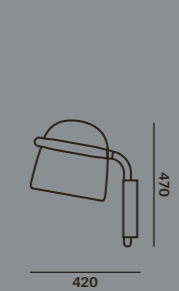
PC980



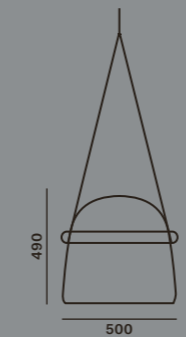
PC950



PC969



PC970



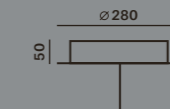
PC1030



PC938



PC979



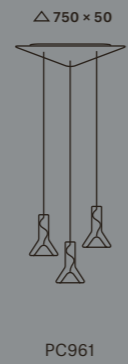
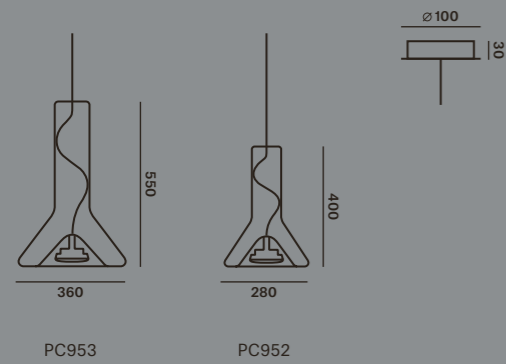
p. 81 PH1373
 Whistle - M - PC953 (CGC38, CCS584)
 Whistle - S - PC952 (CGC38, CCS584)
 Whistle - S - PC952 (CGC38, CCS584)

p. 82—83 PH1083
 Whistle - M - PC953 (CGC23, CCS575)
 Whistle - M - PC953 (CGC23, CCS575)
 Whistle - M - PC953 (CGC23, CCS575)

p. 85 PH1371
 Whistle - M - PC953 (CGC516, CCS582)
 Whistle - S - PC952 (CGC516, CCS582)

p. 86—87 PH1372
 Whistle - M - PC953 (CGC38, CCS584)
 Whistle - S - PC952 (CGC38, CCS584)
 Whistle - S - PC952 (CGC38, CCS584)

p. 89 PH1078
 Whistle - S - PC952 (CGC23, CCS275)
 Whistle - M - PC953 (CGC23, CCS275)
 Whistle - S - PC952 (CGC23, CCS275)



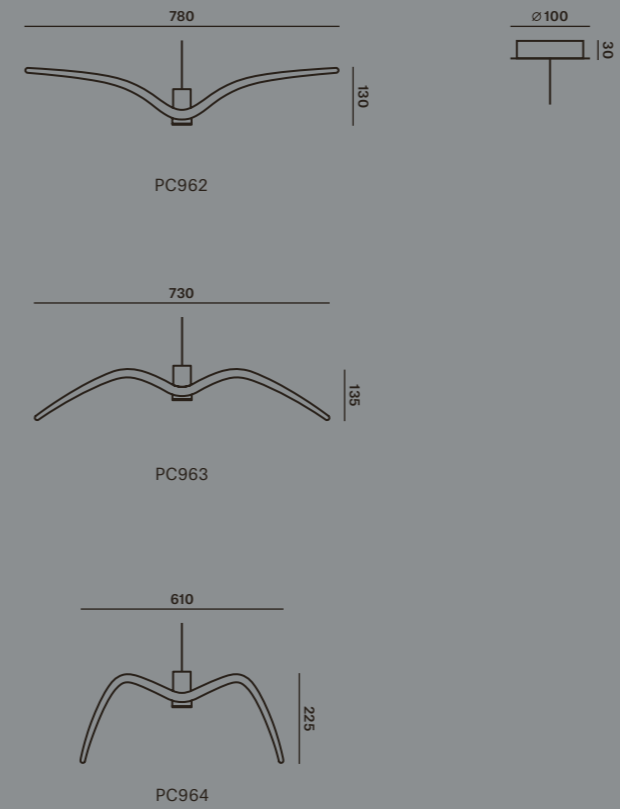
p. 90 PH990
 set up
 Night Birds - PC962 (CGC882, CCS775)
 Night Birds - PC963 (CGC882, CCS775)
 Night Birds - PC964 (CGC882, CCS775)

p. 92—93 PH997
 set up
 Night Birds - PC962 (CGC772, CCS775)
 Night Birds - PC963 (CGC772, CCS775)
 Night Birds - PC964 (CGC772, CCS775)

p. 94 PH1362
 set up
 Night Birds - PC962 (CGC772, CCS775)
 Night Birds - PC963 (CGC772, CCS775)
 Night Birds - PC964 (CGC772, CCS775)

p. 96—97 PH985
 set up
 Night Birds - PC962 (CGC1480, CCS775)
 Night Birds - PC963 (CGC1480, CCS775)
 Night Birds - PC964 (CGC1480, CCS775)

p. 98—99 PH1363
 Night Birds - PC962 (CGC772, CCS775, CECL149)
 Night Birds - PC963 (CGC772, CCS775, CECL149)
 Night Birds - PC964 (CGC772, CCS775, CECL149)



p. 101 PH857
 Lightline - M - PC981 (CGC157, CGGB812, CGSUB890)
 Lightline - L - PC982 (CGC23, CGGB812, CGSUB891)

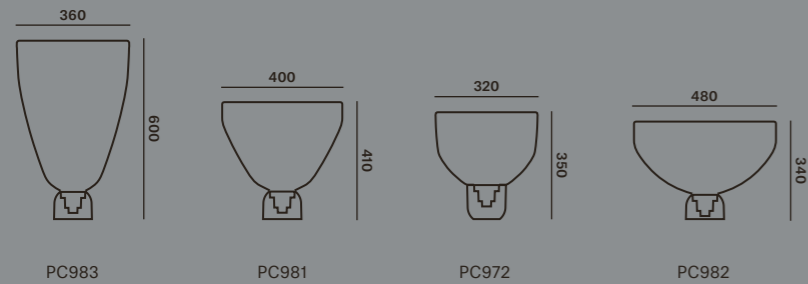
p. 102-103 PH850
 Lightline - M - PC981 (CGC554, CGGB812, CGSUB890)
 Lightline - L - PC982 (CGC23, CGGB812, CGSUB891)
 Lightline - L-H - PC983 (CGC516, CGGB812, CGSUB890)
 Lightline - S - PC972 (CGC515, CGGB812, CGSUB891)

p. 104 PH855
 Lightline - S - PC972 (CGC38, CGGB812, CGSUB890)

p. 106-107 PH1343
 Lightline - S - PC972 (CGC157, CGGB812, CGSUB890)
 Lightline - L - PC982 (CGC23, CGGB812, CGSUB890)
 Lightline - M - PC981 (CGC157, CGGB813, CGSUB890)
 Lightline - L-H - PC983 (CGC516, CGGB812, CGSUB890)
 Lightline - S - PC972 (CGC516, CGGB813, CGSUB890)

p. 108 PH1344
 Lightline - L-H - PC983 (CGC23, CGGB812, CGSUB891)

p. 109 PH856
 Lightline - S - PC972 (CGC45, CGGB812, CGSUB890)



p. 111 PH1341
 Knot - Cilindro - PC1019 (CGC516, CGSU66, CCS584, CRP970)
 Knot - Sfera - PC1016 (CGC516, CGSU66, CCS584, CRP970)

p. 112-113 PH1337
 Knot - Uovo - PC1036 (CGC538, CGSU66, CCSC975, CRP970)
 Knot - Sfera - PC1016 (CGC538, CGSU66, CCSC975, CRP970)
 Knot - Sfera - PC1035 (CGC538, CGSU66, CCSC975, CRP970)
 Knot - Disco - PC1017 (CGC538, CGSU66, CCSC975, CRP970)

p. 114 PH1339
 Knot - Uovo - PC1018 (CGC538, CGSU66, CCS69, CRP970)
 Knot - Cilindro - PC1019 (CGC538, CGSU66, CCS69, CRP970)
 Knot - Sfera - PC1016 (CGC538, CGSU66, CCS69, CRP970)

p. 115 PH1336
 Knot - Disco - PC1037 (CGC538, CGSU66, CCSC975, CRP970)
 Knot - Sfera - PC1035 (CGC538, CGSU66, CCSC975, CRP970)
 Knot - Uovo - PC1036 (CGC538, CGSU66, CCSC975, CRP970)
 Knot - Cilindro - PC1034 (CGC538, CGSU66, CCSC975, CRP970)

p. 116-117 PH1335
 Knot - Disco - PC1037 (CGC516, CGSU66, CCSC975, CRP970)
 Knot - Sfera - PC1016 (CGC516, CGSU66, CCSC975, CRP970)
 Knot - Cilindro - PC1034 (CGC516, CGSU66, CCSC975, CRP970)
 Knot - Sfera - PC1035 (CGC516, CGSU66, CCSC975, CRP970)

Knot - Uovo - PC1036 (CGC516, CGSU66, CCSC975, CRP970)
 Knot - Disco - PC1017 (CGC516, CGSU66, CCSC975, CRP970)

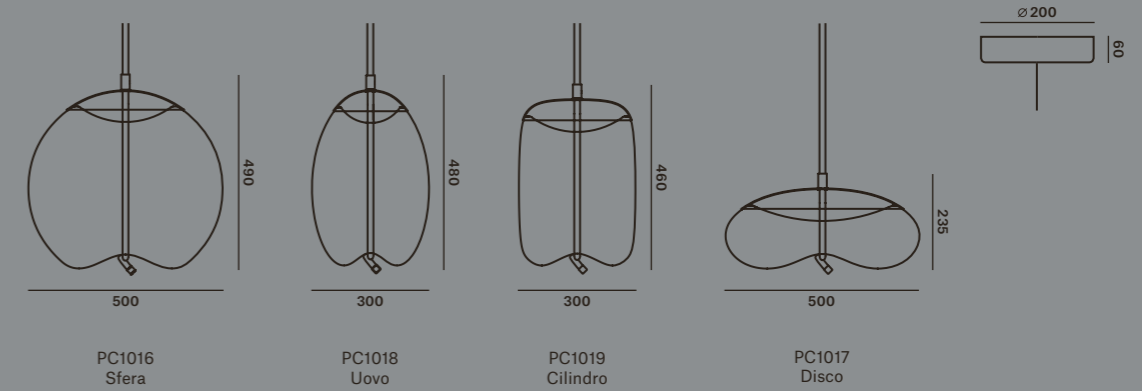
p. 118 PH1338
 Knot - Disco - PC1037 (CGC538, CGSU67, CCS69, CRP970)
 Knot - Cilindro - PC1019 (CGC538, CGSU67, CCS69, CRP970)
 Knot - Sfera - PC1016 (CGC516, CGSU67, CCS584, CRP970)
 Knot - Cilindro - PC1034 (CGC516, CGSU67, CCS584, CRP970)

p. 119 PH825
 Knot - table - Cilindro - PC1078 (CGC516, CGSU66, CCS69, CRP970)

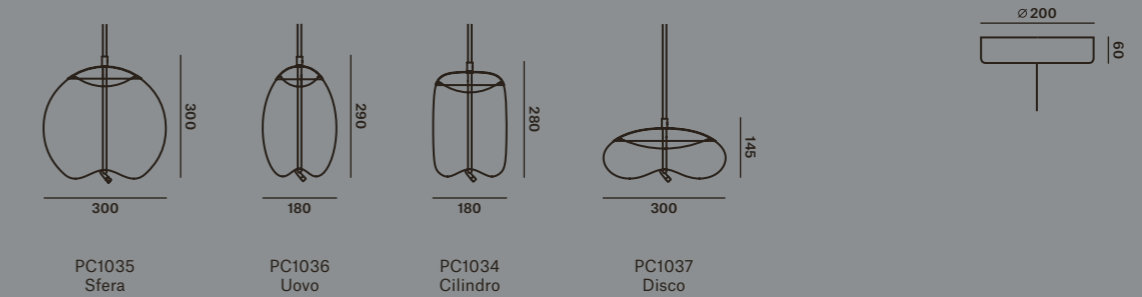
p. 121 PH848
 Knot - Uovo - PC1018 (CGC516, CGSU66, CCS959, CRP970)
 Knot - Sfera - PC1016 (CGC516, CGSU66, CCS959, CRP970)
 Knot - Cilindro - PC1019 (CGC516, CGSU66, CCS959, CRP970)
 Knot - Disco - PC1017 (CGC516, CGSU66, CCS959, CRP970)

p. 122-123 PH1340
 Knot - Uovo - PC1018 (CGC538, CGSU66, CCS69, CRP970)
 Knot - Cilindro - PC1019 (CGC538, CGSU66, CCS69, CRP970)
 Knot - Sfera - PC1016 (CGC538, CGSU66, CCS69, CRP970)
 Knot - Disco - PC1017 (CGC538, CGSU66, CCS69, CRP970)

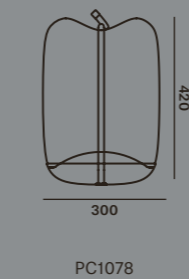
KNOT



KNOT SMALL



KNOT TABLE



p. 124 PH1043
 Puro – horizontal – PC1011 (CGC1507, CGGB977, CGSUB890)
 Puro – horizontal – PC1012 (CGC1507, CGGB977, CGSUB890)
 Puro – vertical – PC1014 (CGC1507, CGGB977, CGSUB890)
 Puro – vertical – PC1015 (CGC1507, CGGB977, CGSUB890)
 Puro – vertical – PC1015 (CGC1507, CGGB977, CGSUB890)

p. 126 PH407
 set up
 Puro – vertical – PC1015 (CGC1507, CGSU881, CCS846, CCSC619)
 Puro – vertical – PC1014 (CGC1507, CGSU881, CCS846, CCSC619)
 Puro – vertical – PC1013 (CGC1507, CGSU881, CCS846, CCSC619)
 Puro – horizontal – PC1012 (CGC1507, CGSU881, CCS846, CCSC619)
 Puro – vertical – PC1124 (CGC1507, CGSU881, CCS846, CCSC619)
 Puro – vertical – PC1123 (CGC1507, CGSU881, CCS846, CCSC619)
 Puro – vertical – PC1122 (CGC1507, CGSU881, CCS846, CCSC619)

p. 127 PH1366
 set up
 Puro – vertical – PC1015 (CGC1507, CGSU881, CCS846, CCSC619)
 Puro – vertical – PC1014 (CGC1507, CGSU881, CCS846, CCSC619)
 Puro – vertical – PC1013 (CGC1507, CGSU881, CCS846, CCSC619)
 Puro – horizontal – PC1012 (CGC1507, CGSU881, CCS846, CCSC619)
 Puro – vertical – PC1124 (CGC1507, CGSU881, CCS846, CCSC619)
 Puro – vertical – PC1123 (CGC1507, CGSU881, CCS846, CCSC619)
 Puro – vertical – PC1122 (CGC1507, CGSU881, CCS846, CCSC619)

p. 128–129 PH1023
 Puro Contour – PC1057 (CGC1507, CGSU881, CGGB2668, CCS846, CCSC619)
 p. 131 PH1042
 Puro – vertical – PC1014 (CGC39, CGGB812, CGSUB890)
 Puro – vertical – PC1015 (CGC39, CGGB812, CGSUB890)
 Puro – vertical – PC1013 (CGC39, CGGB812, CGSUB890)
 Puro – horizontal – PC1010 (CGC39, CGGB812, CGSUB890)

p. 132–133 PH1041
 Puro Eclectic – PC1115 (CGC39, CGSU881, CCS845, CCSC618)

p. 134 PH1045
 Puro – horizontal – PC1012 (CGC1507, CGGB977, CGSUB890)
 Puro – vertical – PC1015 (CGC1507, CGGB977, CGSUB890)

p. 135 PH1365
 Puro – horizontal – PC1156 (CGC1507, CGSU881, CCS846, CCSC2404)
 Puro – vertical – PC1155 (CGC1507, CGSU881, CCS846, CCSC2404)

p. 136–137 PH1364
 Puro Sparkle – PC1055 (CGC39, CGSU881, CCS845, CCSC618)

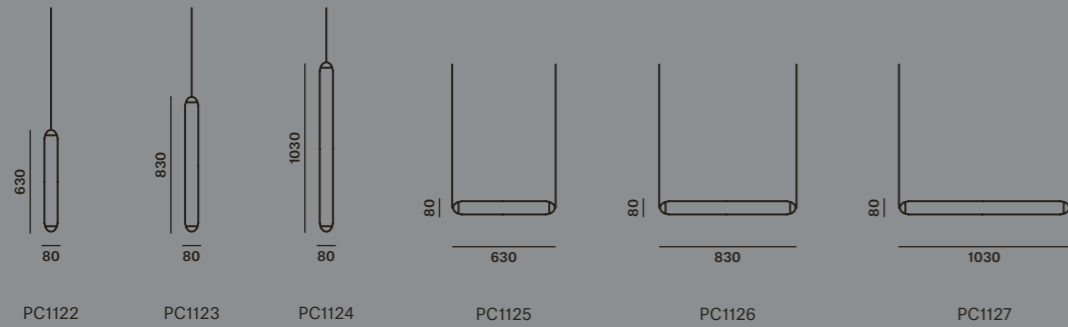
PURO SPOTLIGHT



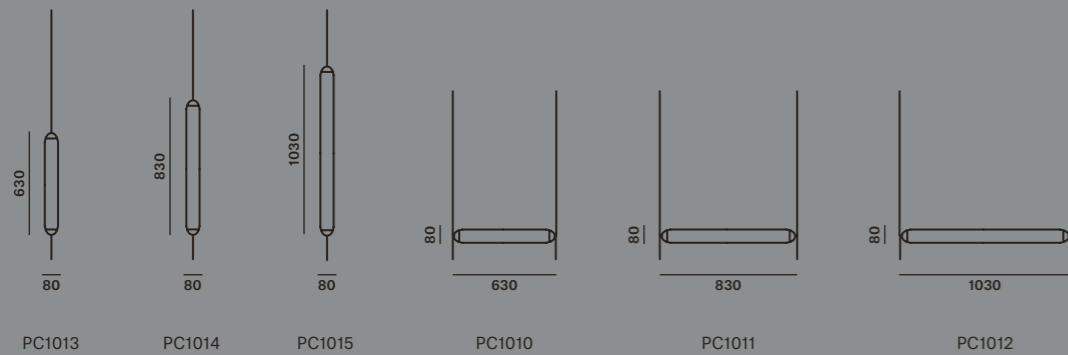
PC1121



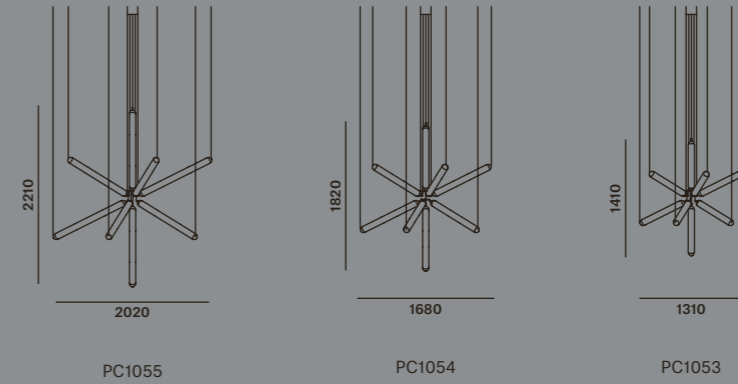
PURO SOLO



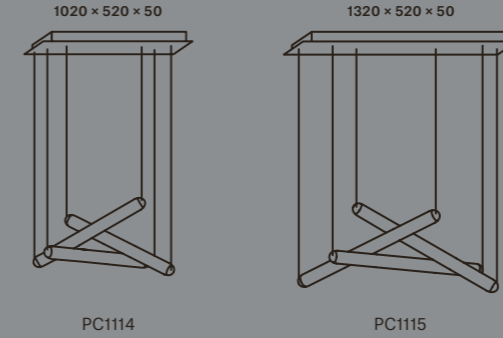
PURO SINGLE



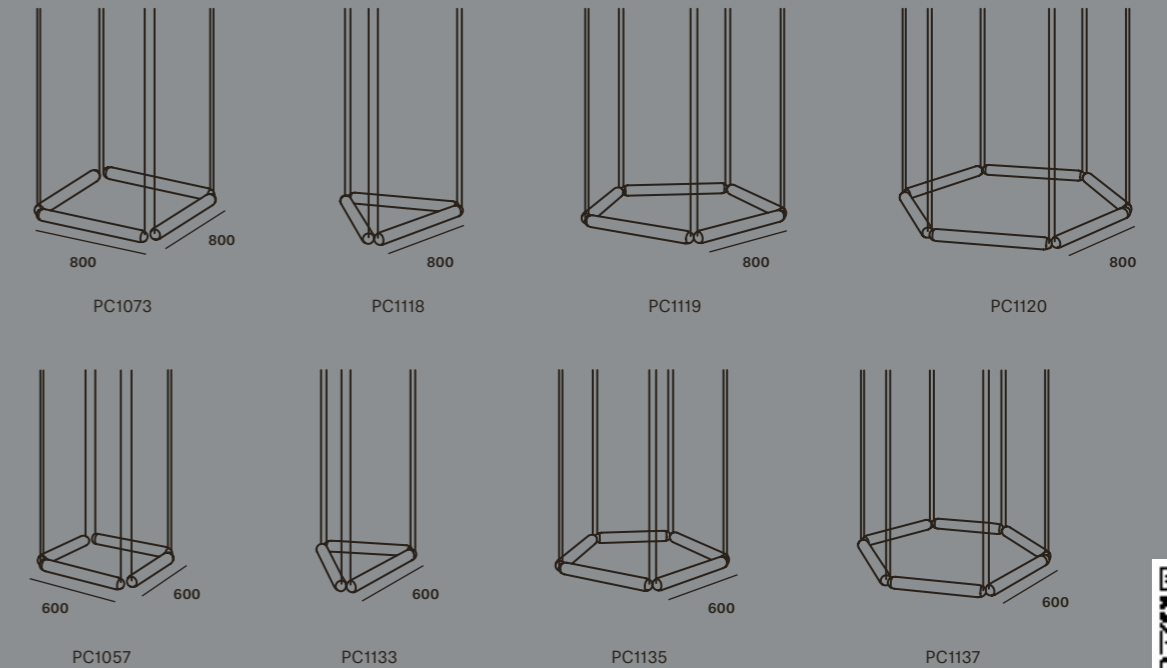
PURO SPARKLE



PURO ECLECTIC

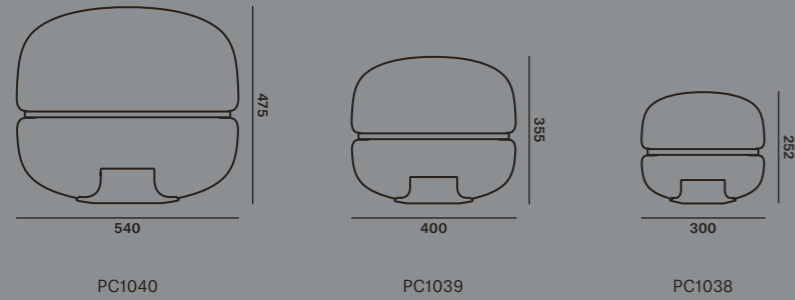


PURO CONTOUR



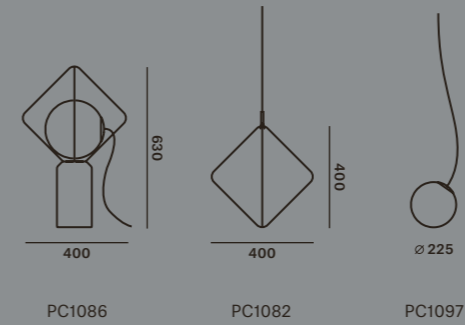
Canopy on Project request for Puro Solo and Puro Single

- p. 139 PH1345
Macaron - PC1040 (CSFB1535, CGC23, CSOP1532)
Macaron - PC1038 (CSFB1574, CGC516, CSOP1533)
- p. 140 PH880
Macaron - PC1038 (CGC516, CSFB1574, CSOP1577)
- p. 141 PH862
Macaron - PC1039 (CSFB1576, CGC515, CSOP1533)
- p. 142—143 PH881
Macaron - PC1039 (CGC23, CSFB1576, CSOP1533)
- p. 144—145 PH1347
Macaron - PC1039 (CSFB1576, CGC1625, CSOP1533)
Macaron - PC1038 (CSFB1576, CGC1625, CSOP1533)
Macaron - PC1040 (CSFB1576, CGC46, CSOP1533)
Macaron - PC1039 (CSFB1535, CGC23, CSOP1532)
Macaron - PC1038 (CSFB1576, CGC515, CSOP1533)
- p. 146 PH870
Macaron - PC1040 (CSFB1576, CGC23, CSOP1532)
- p. 147 PH1346
Macaron - PC1038 (CSFB1535, CGC46, CSOP1532)

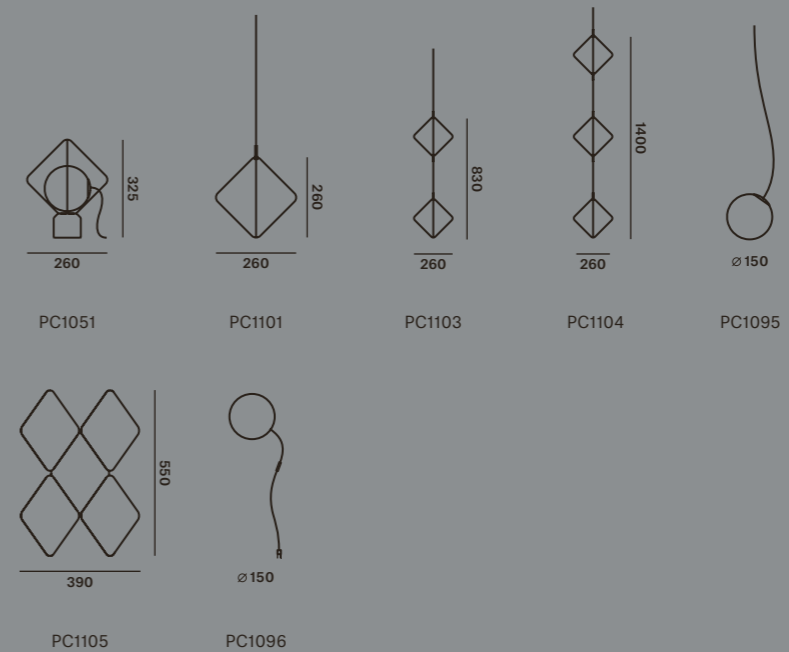


- p. 149 PH1332
Jack O'Lantern - table - PC1051 (CGC39, CGSU881, CGGB2361, CCS2354)
Jack O'Lantern - pendent frame - PC1101 (CCS2354)
Jack O'Lantern - pendent sphere - PC1095 (CGC39, CGSU881, CCS2353, CCSC2362)
- p. 150 PH1330
Jack O'Lantern - table - PC1051 (CGC39, CGSU881, CGGB2361, CCS2354)
Jack O'Lantern - floor - PC1086 (CGC39, CGSU881, CGGB2361, CCS2354)
- p. 151 PH1385
Jack O'Lantern - table - PC1051 (CGC39, CGSU881, CGGB2360, CCS2354)
- p. 152—153 PH764
Jack O'Lantern - table - PC1051 (CGC46, CGSU881, CGGB2360, CCS2355)
Jack O'Lantern - floor - PC1086 (CGC39, CGSU881, CGGB2360, CCS2355)
Jack O'Lantern - table - PC1051 (CGC516, CGSU881, CGGB2360, CCS2355)
- p. 155 PH1334
Jack O'Lantern - pendent random - PC1154 (CCS2673)
Jack O'Lantern - pendent sphere - PC1095 (CGC516, CGSU881, CCS2673, CCSC2674)
- p. 156—157 PH1329
Jack O'Lantern - table - PC1051 (CGC516, CGSU881, CGGB2361, CCS2354)

JACK O' LANTERN



JACK O' LANTERN SMALL



- Jack O'Lantern - table - PC1051 (CGC516, CGSU881, CGGB2360, CCS2353)
Jack O'Lantern - table - PC1051 (CGC39, CGSU881, CGGB2360, CCS2354)
Jack O'Lantern - table - PC1051 (CGC46, CGSU881, CGGB2361, CCS2353)
Jack O'Lantern - table - PC1051 (CGC516, CGSU881, CGGB2360, CCS2354)
- p. 158 PH1399
Jack O'Lantern - pendent frame - PC1101 (CCS2354)
Jack O'Lantern - pendent sphere - PC1095 (CGC39, CGSU881, CCS2354, CCSC2363)
Jack O'Lantern - table - PC1051 (CGC39, CGSU881, CGGB2361, CCS2354)
- p. 159 PH1333
Jack O'Lantern - wall - PC1105 (CCS2353)
Jack O'Lantern - wall sphere - PC1096 (CGC46, CGSU881, CCS2353)
- p. 160 PH1331
Jack O'Lantern - pendent frame - PC1101 (CCS2673)
Jack O'Lantern - pendent sphere - PC1095 (CGC516, CGSU881, CCS2673, CCSC2674)
- p. 161 PH776
Jack O'Lantern - table - PC1051 (CGC516, CGSU881, CGGB2360, CCSC2673)
Jack O'Lantern - floor - PC1086 (CGC516, CGSU881, CGGB2360, CCSC2673)

p. 163 PH709
 Big One - PC1044
 (CGC516, CGSU66, CGCI685, CGSUI905, CCS68, CCSC974)
 Big One - PC1043
 (CGC516, CGSU66, CGCI1914, CGSUI905, CCS68, CCSC974)

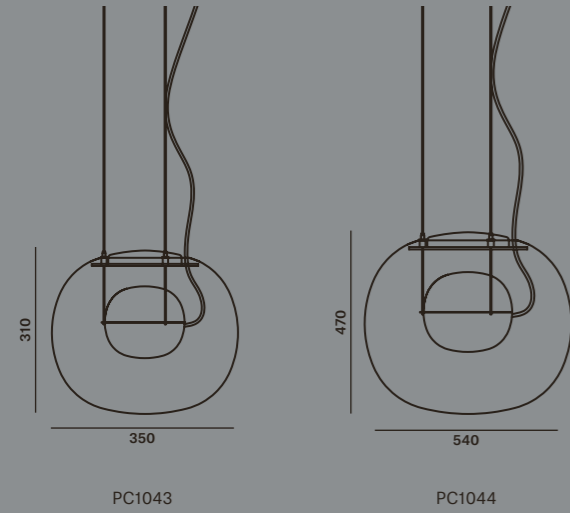
p. 164—165 PH1171
 Big One - PC1043
 (CGC516, CGSU66, CGCI907, CGSUI905, CCS68, CCSC974)
 Big One - PC1044
 (CGC23, CGSU66, CGCI907, CGSUI905, CCS68, CCSC974)
 Big One - PC1043
 (CGC516, CGSU66, CGCI907, CGSUI905, CCS68, CCSC974)

p. 166 PH1170
 Big One - PC1043
 (CGC516, CGSU66, CGCI907, CGSUI905, CCS68, CCSC974)
 Big One - PC1044
 (CGC23, CGSU66, CGCI913, CGSUI905, CCS68, CCSC974)
 Big One - PC1043
 (CGC516, CGSU66, CGCI907, CGSUI905, CCS68, CCSC974)

Big One - PC1044
 (CGC516, CGSU66, CGCI907, CGSUI905, CCS68, CCSC974)

p. 167 PH703
 Big One - PC1044
 (CGC23, CGSU66, CGCI913, CGSUI905, CCS68, CCSC974)

p. 168—169 PH1400
 Big One - PC1044
 (CGC23, CGSU66, CGCI907, CGSUI905, CCS68, CCSC974)
 Big One - PC1043
 (CGC516, CGSU66, CGCI907, CGSUI905, CCS68, CCSC974)
 Big One - PC1044
 (CGC23, CGSU66, CGCI907, CGSUI905, CCS68, CCSC974)
 Big One - PC1043
 (CGC516, CGSU66, CGCI907, CGSUI905, CCS68, CCSC974)
 Big One - PC1044
 (CGC516, CGSU66, CGCI907, CGSUI905, CCS68, CCSC974)
 Big One - PC1044
 (CGC516, CGSU66, CGCI907, CGSUI905, CCS68, CCSC974)



p. 170 PH1395
 Ivy - floor - PC1132 (CGC39, CGSU881, CCS575)

p. 172—173 PH1397
 Ivy - pendent - horizontal - PC1069 (CGC39, CGSU881, CCS2675)
 Ivy - pendent - horizontal - PC1068 (CGC39, CGSU881, CCS2675)

p. 174 PH1394
 Ivy - table - PC1131 (CGC39, CGSU881, CCS2675)

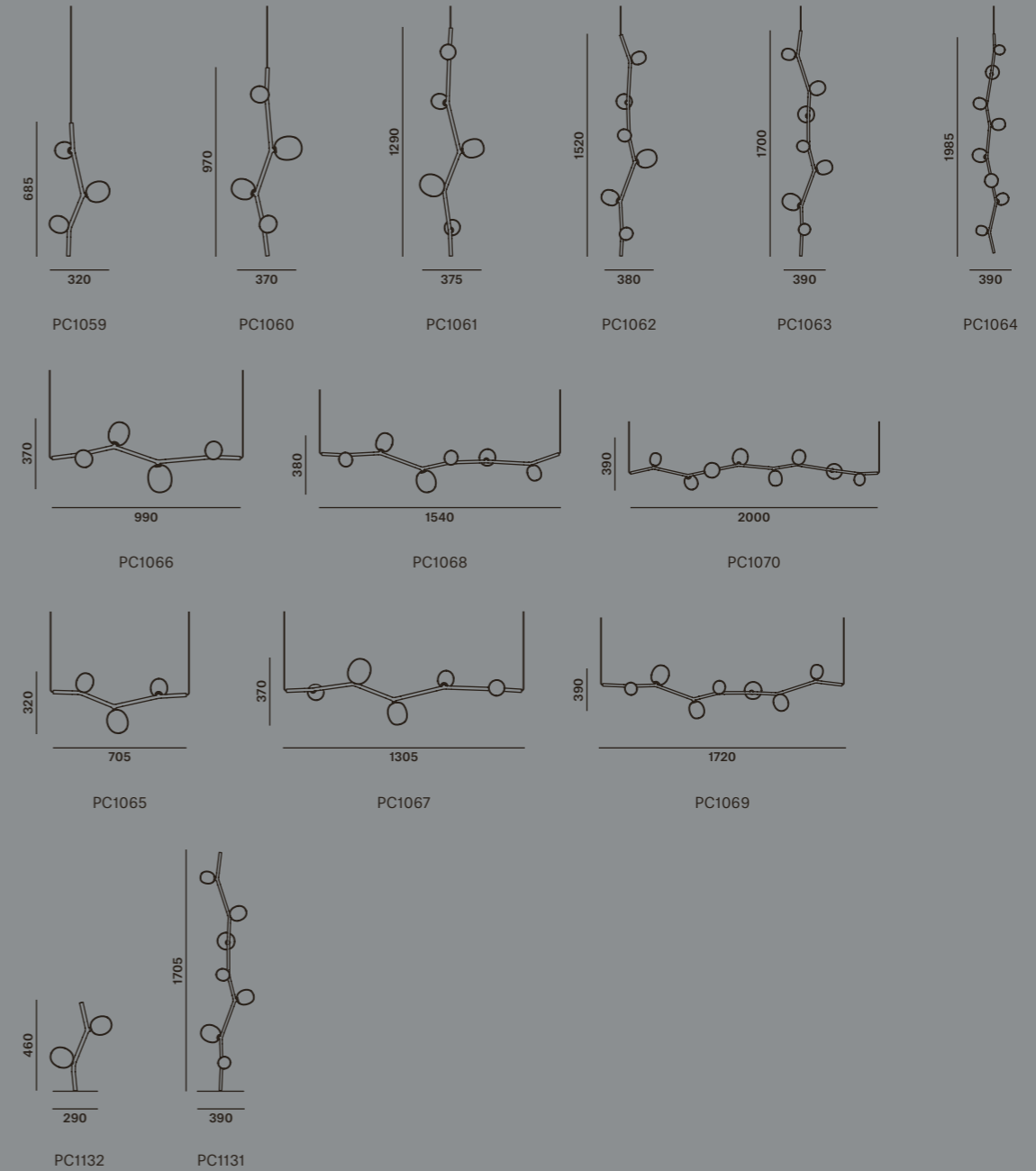
p. 175 PH750
 Ivy - pendent - vertical - PC1060 (CGC39, CGSU881, CCS575)
 Ivy - pendent - vertical - PC1060 (CGC39, CGSU881, CCS575)
 Ivy - pendent - vertical - PC1060 (CGC39, CGSU881, CCS575)

p. 176 PH753
 Ivy - pendent - vertical - PC1059 (CGC39/CGC46, CGSU881, CCS2675)
 Ivy - pendent - vertical - PC1061 (CGC39/CGC46/CGC516, CGSU881, CCS2675)

Ivy - pendent - vertical - PC1064
 (CGC39/CGC516, CGSU881, CCS2675)
 Ivy - pendent - vertical - PC1063
 (CGC39/CGC46/CGC516, CGSU881, CCS2675)
 Ivy - pendent - vertical - PC1060
 (CGC39/CGC516, CGSU881, CCS2675)

p. 178 PH1396
 Ivy - pendent - horizontal - PC1068
 (CGC516/CGC39, CGSU881, CCS2675)

p. 179 PH744
 Ivy - floor - PC1132 (CGC516, CGSU881, CCS2675)
 Ivy - table - PC1131 (CGC516, CGSU881, CCS2675)
 Ivy - pendent - vertical - PC1060 (CGC516, CGSU881, CCS2675)



p. 181 PH1389
 Awa - PC1129 (CGC516, CGSU66, CCS775, CCSC843)
 Awa - PC1130 (CGC516, CGSU66, CCS775, CCSC843)
 Awa - PC1129 (CGC23, CGSU66, CCS775, CCSC843)

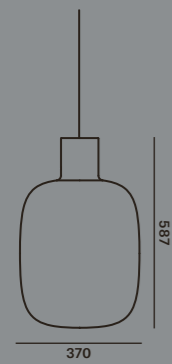
p. 182—183 PH668
 Awa - PC1130 (CGC516, CGSU66, CCS757, CCSC842)
 Awa - PC1129 (CGC516, CGSU66, CCS757, CCSC842)

p. 184 PH1153
 Awa - PC1130 (CGC516, CGSU66, CCS775, CCSC843)

p. 185 PH1392
 Awa - PC1130 (CGC516, CGSU66, CCS757, CCSC842)
 Awa - PC1129 (CGC516, CGSU66, CCS757, CCSC842)
 Awa - PC1129 (CGC516, CGSU66, CCS757, CCSC842)

p. 186—187 PH1388
 Awa - PC1129 (CGC516, CGSU66, CCS775, CCSC843)
 Awa - PC1130 (CGC516, CGSU66, CCS775, CCSC843)
 Awa - PC1129 (CGC23, CGSU66, CCS775, CCSC843)

p. 188—189 PH670
 Awa - PC1129 (CGC23, CGSU66, CCS584, CCSC896)
 Awa - PC1129 (CGC516, CGSU66, CCS775, CCSC843)
 Awa - PC1130 (CGC538, CGSU66, CCS584, CCSC896)



PC1130



PC1129



p. 191 PH1326
 Geometric - PC1146 (CGC2747/CGC2676, CGSU2736, CCS846)

p. 192—193 PH1390
 Geometric - PC1140 (CGC2676/CGC2747, CGSU2736, CCS846)
 Geometric - PC1150 (CGC2676, CGSU2736, CCS846)
 Geometric - PC1141 (CGC2723, CGSU2736, CCS846)

p. 195 PH1391
 Geometric - PC1140 (CGC2723/CGC2747, CGSU2736, CCS846)
 Geometric - PC1142 (CGC2723, CGSU2736, CCS846)

p. 196 PH1327
 Geometric - PC1140 (CGC2723/CGC2747, CGSU2736, CCS846)
 Geometric - PC1142 (CGC2723, CGSU2736, CCS846)
 Geometric - PC1146 (CGC2747/CGC2676, CGSU2736, CCS846)



PC1140



PC1141



PC1142



PC1143



PC1144



PC1145



PC1146



PC1147

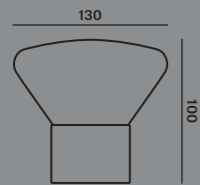


PC1150



p. 198 PH980
Muffins Candleholder – PC1008 (CGC516, CCS972)

p. 200—201 PH1370
Muffins Candleholder – PC1008 (CGC516, CCS972)
Muffins Candleholder – PC1008 (CGC157, CCS757)
Muffins Candleholder – PC1008 (CGC515, CCS972)
Muffins Candleholder – PC1008 (CGC516, CCS757)
Muffins Candleholder – PC1008 (CGC515, CCS757)
Muffins Candleholder – PC1008 (CGC516, CCS592)



PC1008



PRODUCT CLASSIFICATION

The product variants that we offer are classified in ascending order into four price levels: Basic (BAS), Standard (STA), Advanced (ADD), Individual (IND). Product variants classified as ALL are universal and may be selected for any of the four price levels.

OTHER IMPORTANT INFORMATION

Brokis products and services can be found on the latest version of our website – www.brokis.cz. Our sales partners are regularly informed of news and any changes to products and or services.

In order to streamline cooperation with our sales partners and promote sales of our products and services, we've created new marketing tools, which are available through the My Brokis partner portal at www.brokis.cz.

These tools, which include informative documents, PR materials, and an overview of complementary services, support product sales growth and help us develop our services, some of which are limited to certain regions.

Conditions acting on the product during transport, storage, and after installation can have a negative impact on its appearance. For more information regarding maintenance and cleaning, go to www.brokis.cz or refer to the installation manual included with each product.

BROKIS
WEBSITE



PROMO
VIDEO



MY
BROKIS



BROKIS
CATALOGUE



BROKISGLASS



TECHNICAL INFORMATION
ABOUT PRODUCTS



cleaning
information



technical
information



other
information

BROKIS
PROJECTS



ARCHI
TONIC



archiproducts



archilovers



BROKIS

OFFICE Španielova 1315/25
163 00 Prague 6, Czech Republic
SHOWROOM Sídliště Janštejn 39
588 52 Horní Dubenky
Czech Republic
T +420 567 211 517
F +420 567 211 727
E info@brokis.cz
W www.brokis.cz

PRODUCT DESIGN

Creative direction
Lucie Koldova

DESIGNERS

Lucie Koldova
Dan Yeffet
Boris Klimek
Lenka Damova
Chiaramonte Marin
Fumie Shibata

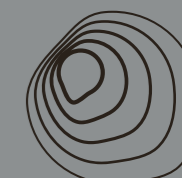
PHOTO

product images
Martin Chum

additional images
Kristina Hrabětová
Dana Hosová
Lukáš Pelech
Jan Voharčík

GRAPHIC DESIGN

Studio Marvil



BROKIS

