

tuoto

COLLECTION
2022

Lighting collection
from Finland

Mikko Kärkkäinen

CEO & Designer

I live from creativity, inspiration and innovativity. I believe that lighting should provide long-lasting enjoyment. This is what Tunto has been about since the beginning: we create innovative lighting with a soul, combining wood and true craftsmanship with the latest technological advancements.

I'm extremely proud of Tunto – the company that I've had the privilege to create and nurture with the best of talent around me. Over the years I've had the honour to receive several international design awards and acknowledgements for our products. I've also been awarded with the Finnish State Award in Design. But I've also been lucky to have been able to train skilled employees and see them grow to be the Tunto talents they are today.

We have set the bar high at Tunto. We always strive to become an even better lighting manufacturer – and offer creative, inspiring products and solutions to all our customers.

Join us on this journey in creating innovative lighting with a soul.



THERE IS NO BETTER SOURCE OF
INSPIRATION THAN NATURE'S
OWN DESIGN.



FORM AND FUNCTION ARE ONE.



**THE GREATEST DESIGNS ARE RIGHT
IN FRONT OF YOU – IF YOU KNOW
WHERE TO LOOK.**



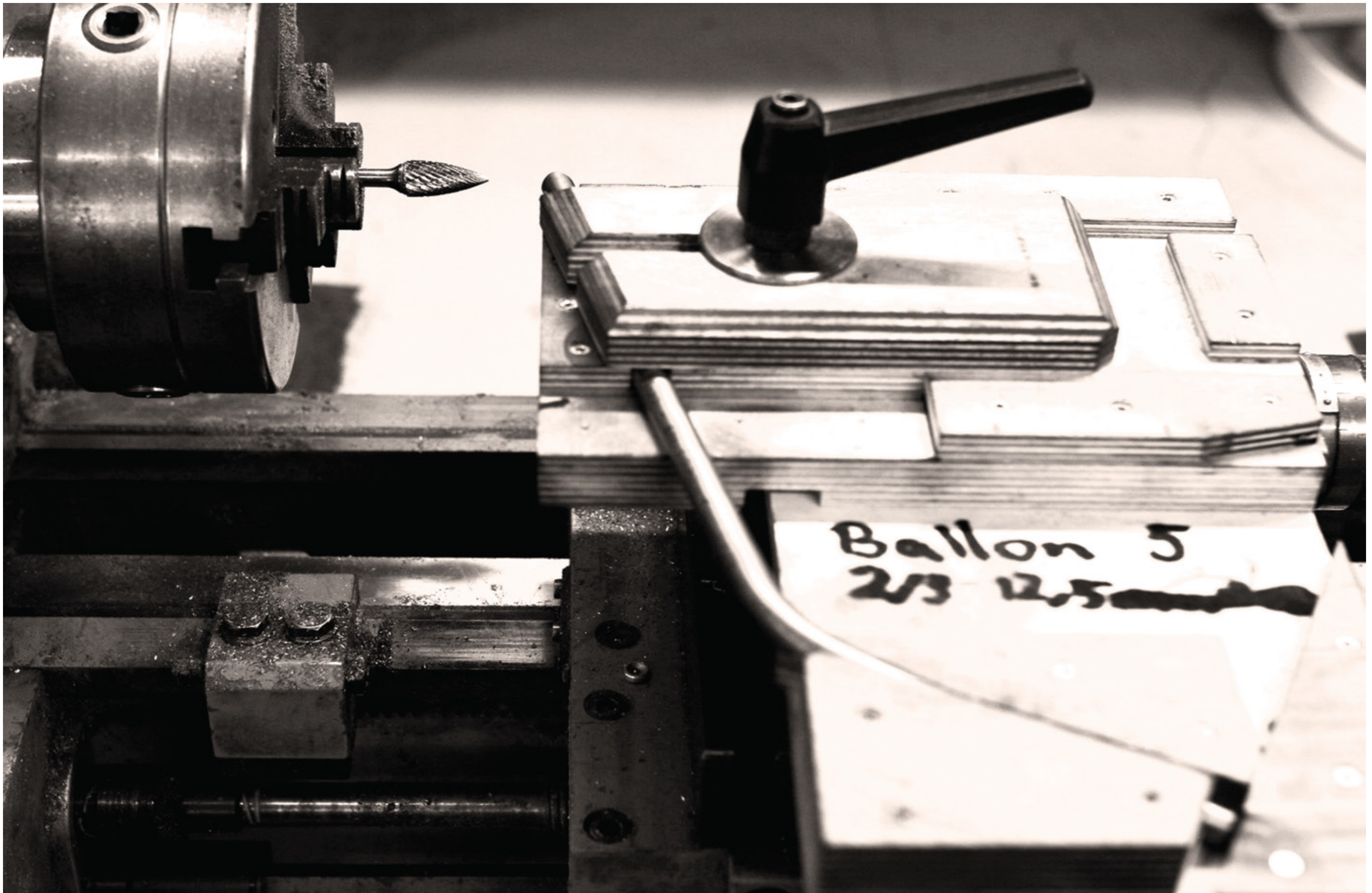
**ORGANIC MATERIALS
CREATE THE SOUL.**



TUNTO

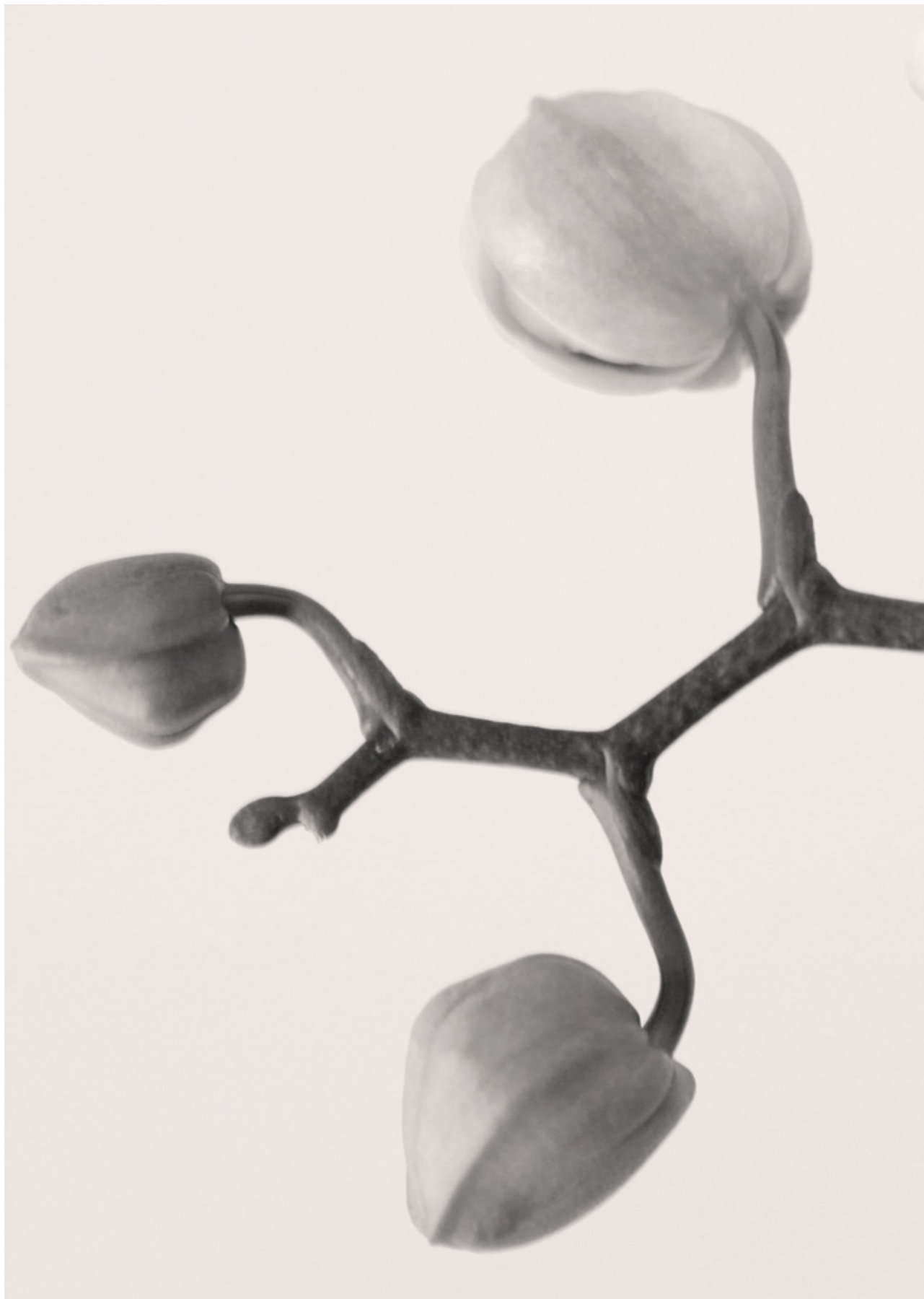


Collection



TUNTO

Collection



TUNTO



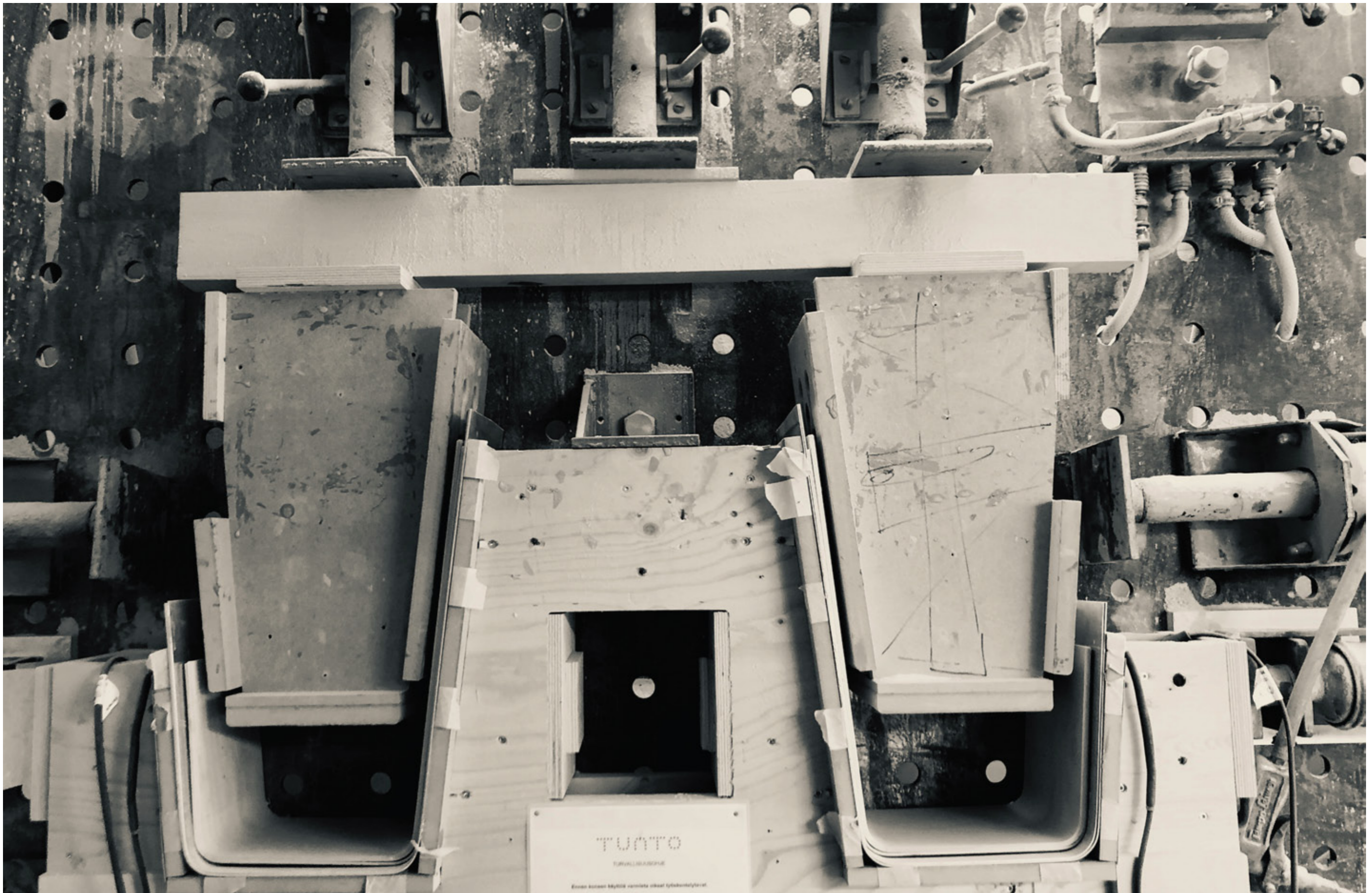
Collection

JOY AND PLAYFULNESS ARE ESSENTIAL
PARTS OF A CREATIVE PROCESS.



OUR OWN FACTORY GIVES US A UNIQUE OPPORTUNITY TO FREELY DEVELOP AND PRODUCE NEW, INNOVATIVE LIGHTING.





TUUNTO

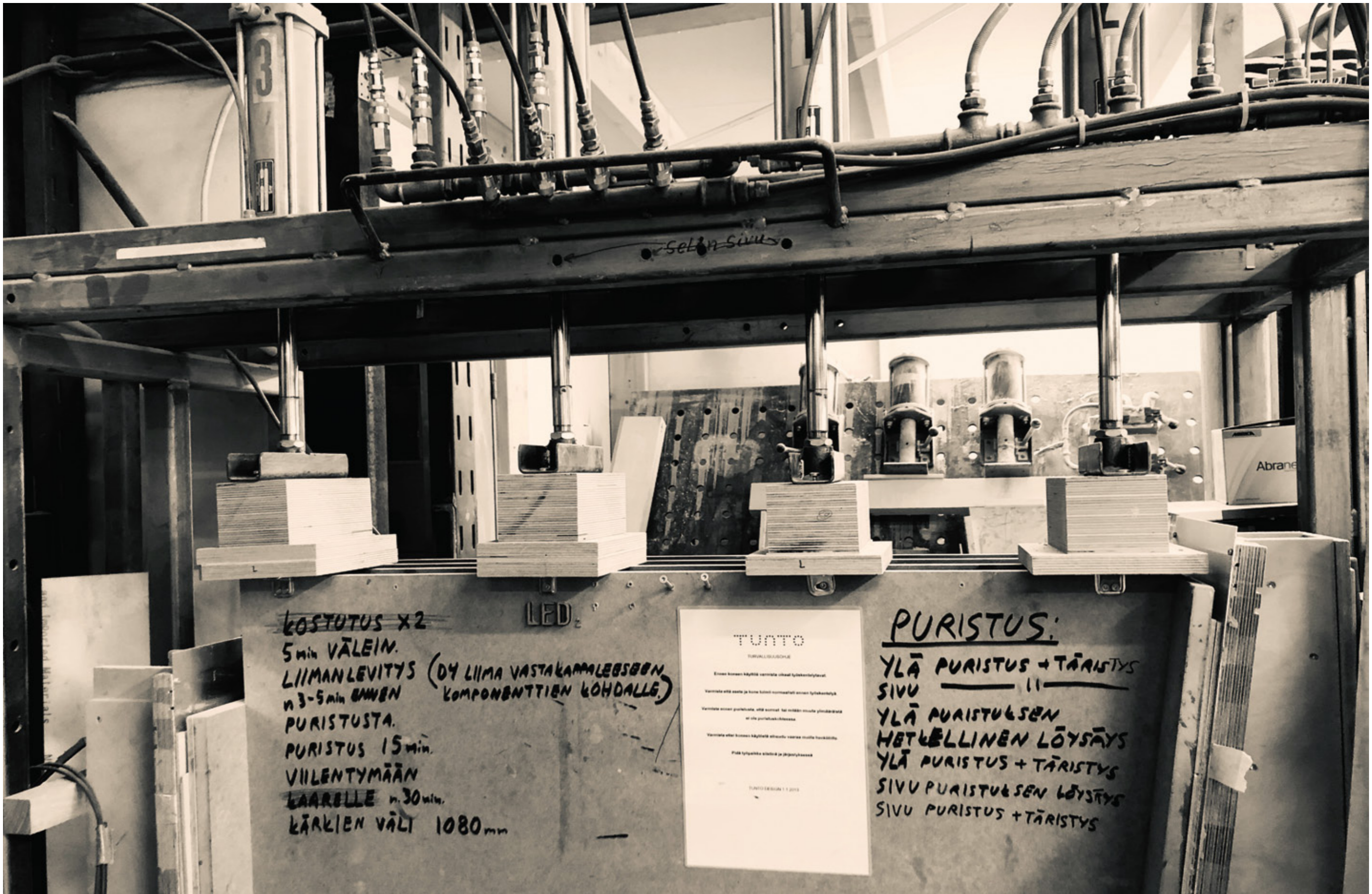
Collection

**OUR DRIVING FORCE IS SKILLED
CRAFTSMANSHIP – COMBINED WITH
TECHNOLOGY AND THE LATEST
INNOVATIONS IN LIGHTING**

TUNTO



Collection



Selän sivu

KOSTUTUS X2
 5 min VÄLEIN.
 LIIMANLEVITYS (DY LIIMA VASTAKAMALEBSON
 n. 3-5 min ENNEN PURISTUSTA.
 PURISTUS 15 min.
 VIILENTYMÄÄN
 LAARELLE n. 30 min.
 KÄRKIEN VÄLI 1080 mm

LED

TUNTO
 TURVALLISUUSOHJE
 Ennen koneen käyttöä varmista oikeat työturvallisuudet.
 Varmista että vaara ja turva-merkit on nähtävissä ennen työturvallisuutta.
 Varmista ennen puristusta, että koneet tai niiden osat pysyvät
 siinä puristuskäytössä.
 Varmista että koneen käyttöä ohjeiden mukaan on luettu.
 Pidä työturvallisuus- ja ohjeita.
 TUNTO DESIGN 1 | 2015

PURISTUS:
 YLÄ PURISTUS + TÄRISTYS
 SIVU ——— II ———
 YLÄ PURISTUKSEN
 MHTLELLINEN LÖYSÄYS
 YLÄ PURISTUS + TÄRISTYS
 SIVU PURISTUKSEN LÖYSÄYS
 SIVU PURISTUS + TÄRISTYS



TUNTO



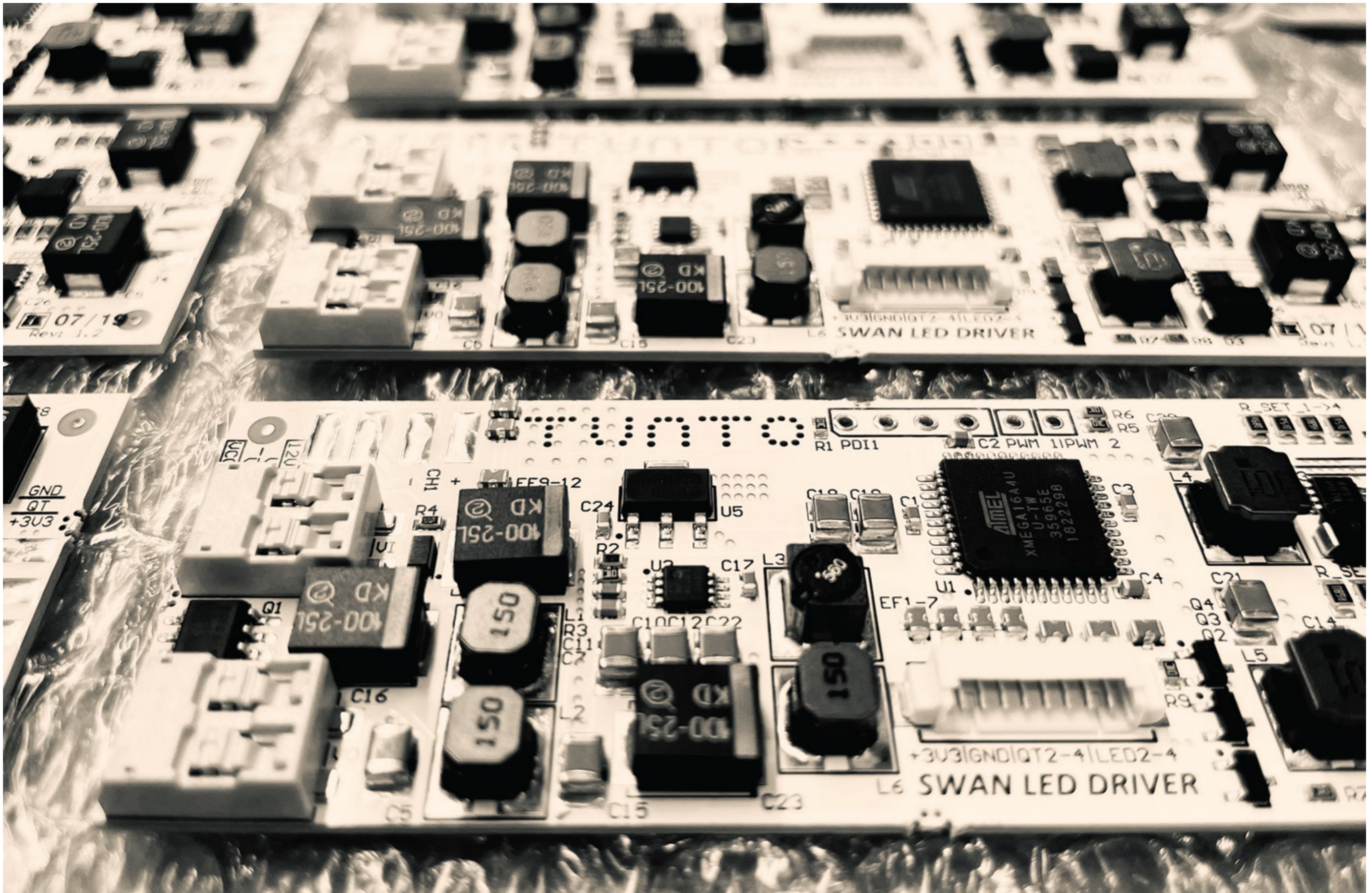
Collection



TUNTO

Collection

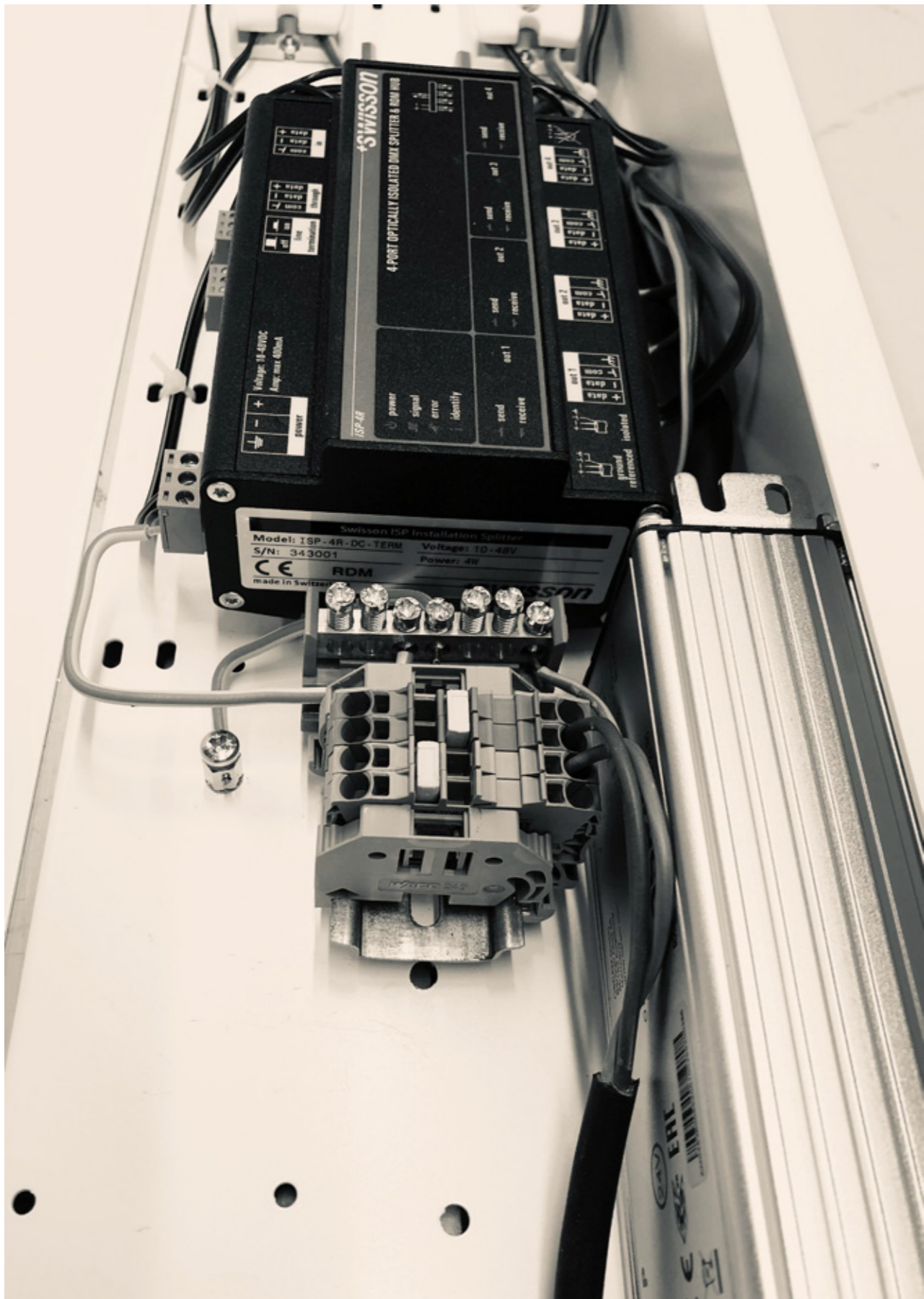






TUNTO

Collection



TUNTO



Collection

**WE REALIZE THE MOST AMBITIOUS
LIGHTING VISIONS.**

COLLECTION

THE ORIGINAL, INNOVATIVE LED SERIES WAS SPARKED BY A VISION BY MIKKO KÄRKKÄINEN, IN WHICH LED TECHNOLOGY ENABLES NEW, CREATIVE WAYS TO USE WOOD AS A MATERIAL FOR A LUMINAIRE.

THE MODERN BUT TIMELESS DESIGN OF THE SERIES IS COMPLEMENTS INTERIORS OF ALL KINDS WITH PRESTIGE, ELEGANCE AND HIGH-QUALITY LIGHT.

Led
1, 2, 4, 8

This is the luminaire that started it all – a true milestone in the Tunto story. Born of a flash of creative inspiration, LED1 was ahead of its time upon its conception. Today it is an award-winning design classic.

Elegant touch-sensitive switching allows for easy control and brightness adjustment.



reddot design award
best of the best 2009



Led₁

TUNTO

Collection

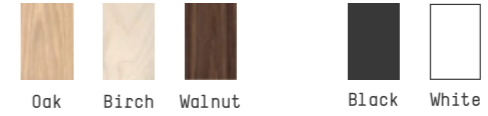


Led₁

TUNTO

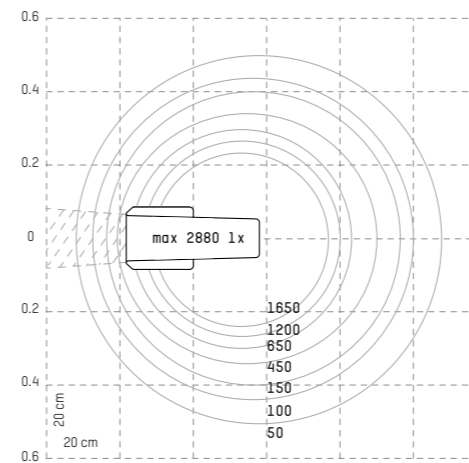
TECHNICAL SPECIFICATIONS

Available colors and materials

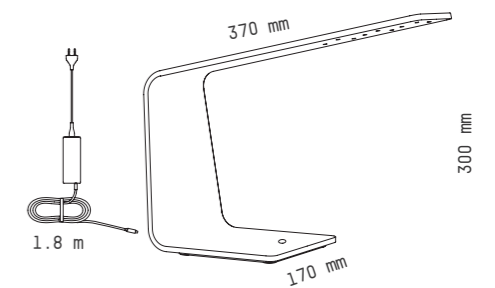


Surface Finish Lacquer

Led₁ lx



Measurements



Size	370 x 300 x 170 mm	Kelvin	2700 K
Weight	0.8 kg	Lumen	max 800 lm, lowest level 500 lm
Thickness	7 mm	CRI	97
Power Use	16-10 W	Package Size	430 x 330 x 220 mm
Voltage	100-240 V 50/60 Hz	Package Weight	1.8 kg
Output	18-24V		
Cord Length	1.8 m		
Suitable	EURO, UK, USA/Japan		

INDOOR USE ONLY

NON-USER REPLACEABLE LIGHT SOURCE

IP20

CE



Collection



Led₂

TUNTO

Collection

EYE-CATCHING SIMPLICITY

The Led2 floor light is a spectacular piece of lighting for various purposes at modern homes, innovative interiors and public spaces.

Equipped with touch-sensitive switching for easy control and brightness adjustment.

Led2 has received several awards, including the international red dot award in product design in 2010, the Green Good Design award in 2010 and a Deutsche Designpreis nomination in 2011.



reddot design award
winner 2010



Deutscher
Designpreis
2011
NOMINEE



GOOD
DESIGN

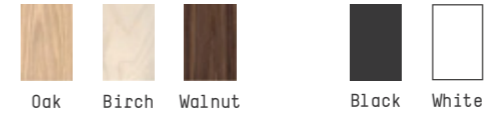


Led₂

TUNTO

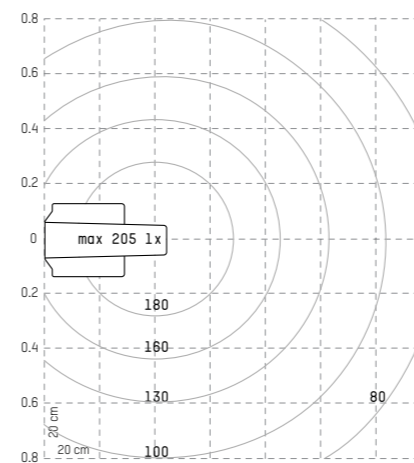
TECHNICAL SPECIFICATIONS

Available colors and materials

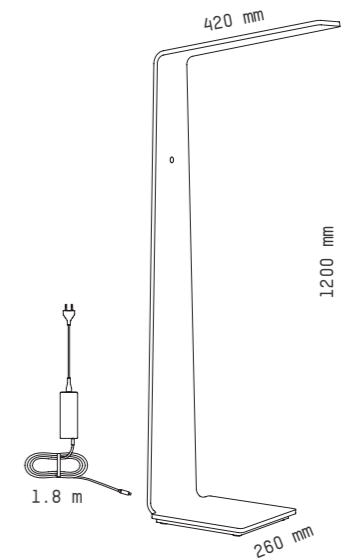


Surface Finish Lacquer

Led₂ lx



Measurements



Size	1200 x 420 x 260 mm	Kelvin	2700 K
Weight	5.2 kg	Lumen	max 800 lm, lowest level 500 lm
Thickness	10 mm	CRI	97
Power Use	16-10W	Package Size	1300 x 550 x 360 mm
Voltage	100-240V 50/60 Hz	Package Weight	10.5 kg
Output	18-24V		
Cord Length	1.8 m		
Suitable	EURO, UK, USA/Japan		

INDOOR USE ONLY

NON-USER REPLACEABLE LIGHT SOURCE

IP20

CE



Collection



Led₄

TUNTO

Collection

SOPHISTICATED EFFICIENCY

The Led4 light is excellent for all kinds of work spaces and office interiors, thanks to its optimized size and illuminating power.

Equipped with sophisticated touch-sensitive switching for easy control and brightness adjustment.

Led4 received the international red dot award in product design in 2011.



reddot design award
winner 2011



Led₄

TUNTO

TECHNICAL SPECIFICATIONS

Available colors and materials



Oak



Birch



Walnut



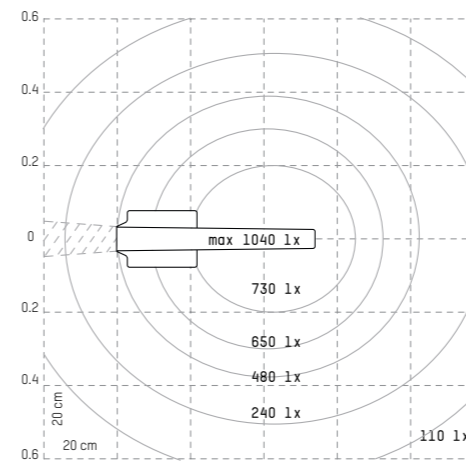
Black



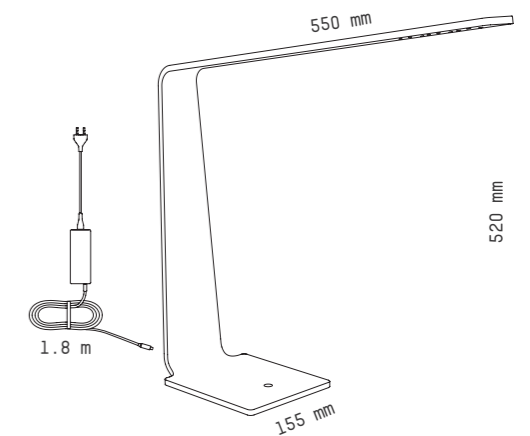
White

Surface Finish Lacquer

Led₄ lx



Measurements



Size	520 x 550 x 155 mm	Kelvin	2700 K
Weight	0.8 kg	Lumen	max 800 lm, lowest level 500 lm
Thickness	8 mm	CRI	97
Power Use	16-10W	Package Size	610 x 570 x 175 mm
Voltage	100-240V 50/60 Hz	Package Weight	2.0 kg
Output	18-24V		
Cord Length	1.8 m		
Suitable	EURO, UK, USA/Japan		

INDOOR USE ONLY

NON-USER REPLACEABLE LIGHT SOURCE

IP20

CE



Collection

SIZE MATTERS

The Led8 is a tall and elegant table light that is optimal for offices with demanding lighting requirements and large computer displays.

Led₈



TUNTO

Collection



Led₈

TUNTO



Led8 can be equipped with the groundbreaking Qi wireless charging technology, enabling the base of the light to be used for charging smart phones wirelessly.

This allows the light to be used innovatively in various spaces – such as hotel rooms or lounge areas – where wireless charging is a great convenience.

Collection

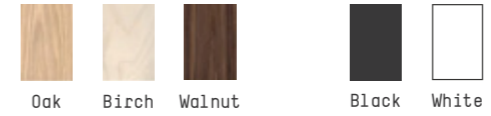


Led₈

TUNTO

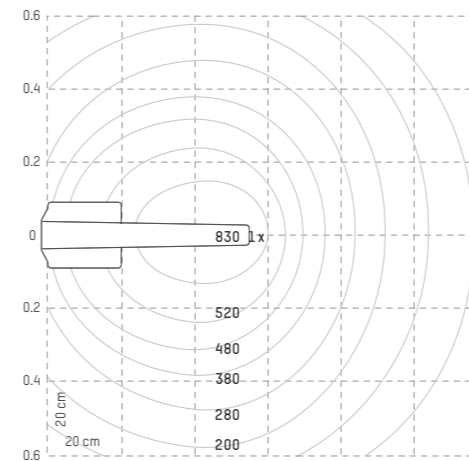
TECHNICAL SPECIFICATIONS

Available colors and materials

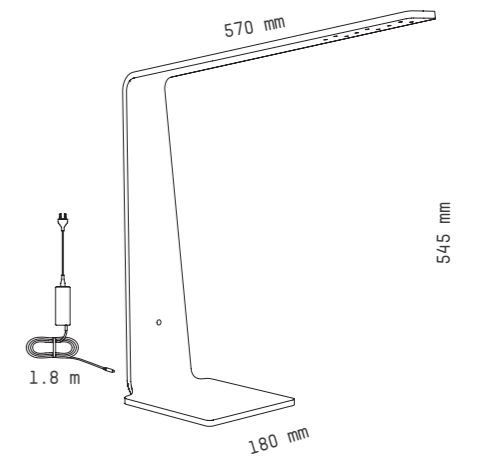


Surface Finish Lacquer

Led₈ lx



Measurements



Size	560 x 570 x 180 mm	Kelvin	2700 K
Weight	1.4 kg	Lumen	max 800 lm, lowest level 500 lm
Thickness	9 mm	CRI	97
Power Use	16-10 W / Qi 25 W	Qi Operating Mode	Qi 1.0 standard compatible
Voltage	100-240 V 50/60 Hz	Package Size	680 x 680 x 220 mm
Output	18-24V	Package Weight	3.5 kg
Cord Length	1.8 m		
Suitable	EURO, UK, USA/Japan		

INDOOR USE ONLY

NON-USER REPLACEABLE LIGHT SOURCE

IP20

CE



Collection

THE LED 28, 40, 60 IS DESIGNED TO COMPLIMENT AND ENHANCE THE MOST INNOVATIVE VISIONS OF ARCHITECTS AND INTERIOR DESIGNERS.

THE IDEA IS TO PROVIDE THE ULTIMATE VERSATILITY FOR DIFFERENT PURPOSES AND INTERIOR TYPES VIA A MINIMALISTIC, CUBICAL DESIGN LANGUAGE.



Led_{28, 40, 60}

TUNTO

Collection

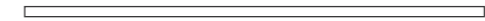


Led₂₈

TUNTO

LED₂₈ FIX

1200 mm 26 W



1000 mm 22 W



Direct 

Drivers / External

DALI, PUSH DIM	LCM40DA
CASAMBI DIM	LCM40BLE

The Led28 lights give an ideal, minimalistic yet powerful impression when installed in groups of two or more, either on walls or ceilings.

The lights are highly modular, available with various options of wood, length, and methods of installation, opening up endless possibilities for creative use.

The FIX model gives a forward light, and can be easily and subtly attached to a wall or ceiling.

Collection

The PENDANT model is ideal for lighting various kinds of workspaces, from offices to shop interiors. A pair of Led28s can also be attached to each other for a straight and detailed appearance.

The pendant model is equipped with thin steel wires and a transparent power cable.

LED₂₈ PENDANT

1200 mm 26 W



1000 mm 22 W



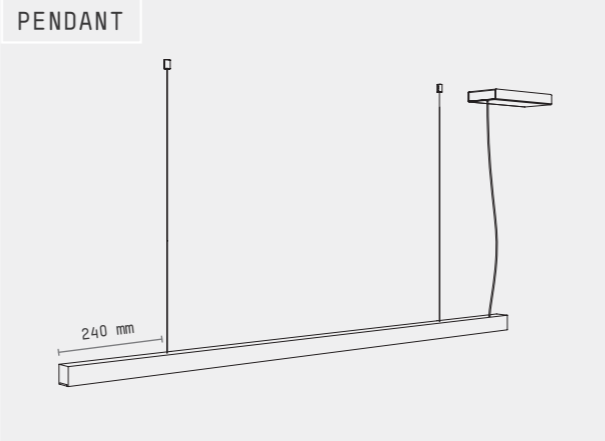
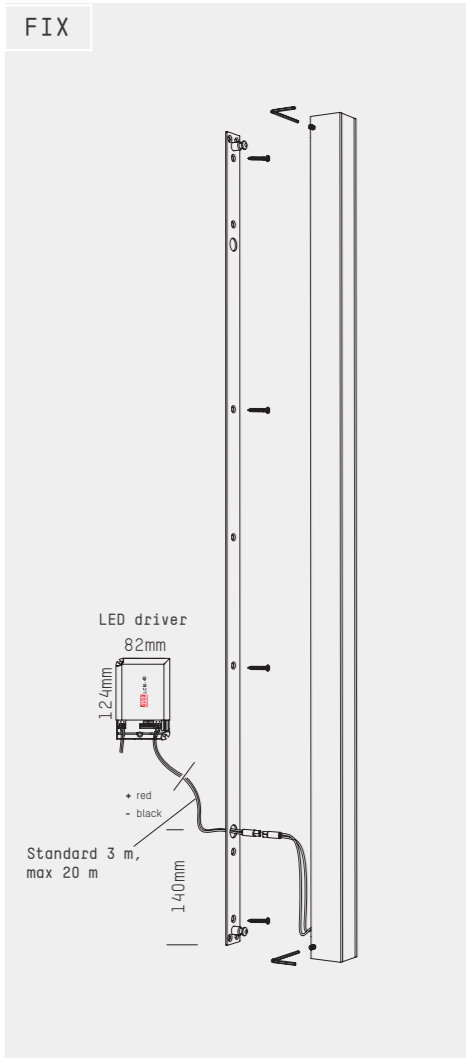
Direct 

Drivers / Power Box

DALI, PUSH DIM	LCM40DA
CASAMBI DIM	LCM40BLE

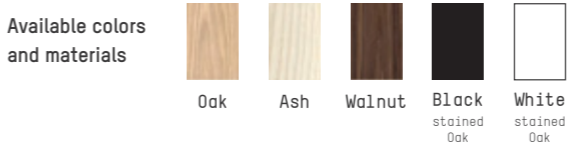
Led₂₈





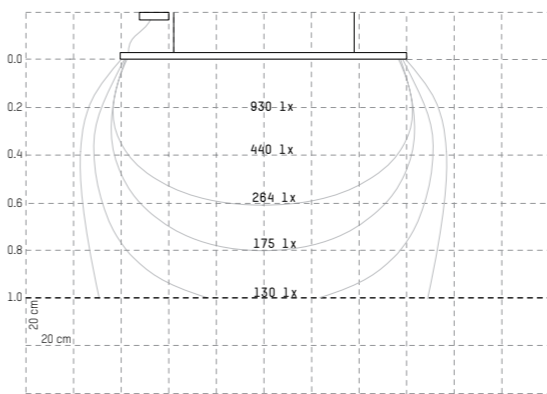
Led28 FIX models assembly
 Attach the steel holder to the wall or ceiling. Connect the power source cables to the light's connectors. Place and level the light on the steel holder and tighten screws.

TECHNICAL SPECIFICATIONS

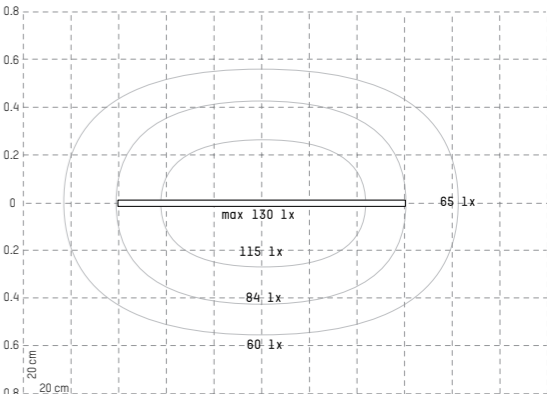


Surface Finish Ash: White Oil wax / Oak, Walnut: Oil wax
 Black and White, Lacquer

Led₂₈ 1200 pendant lx



Led₂₈ 1200 pendant lx / measured 1.0 m on the table



Drivers / Power Box

700 mA	DALI, PUSH DIM	LCM40DA
	CASAMBI DIM	LCM40BLE

Rated Power	22-26 W	Kelvin	2700 K, 3000 K, 4000 K
Voltage	180-295V 50/60 Hz,	Lumen	1000 lm / 1100 lm 1200 lm / 1300 lm
Output	25-32V 700 mA	CRI	93
Cord Length	Pendant, standard 2 m, transparent. FIX, standard 3 m, Max 20 m.	Package Size	130 x 110 x 1060-1260 mm
Power Box	White ceiling cup 220 x 100 x 35 mm RAL 9003 fine efekt	Package Weight	2-2,3 kg

INDOOR USE ONLY NON-USER REPLACEABLE LIGHT SOURCE IP20 CE □

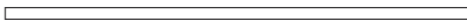



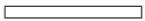
Led₂₈



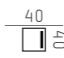
Led₄₀

TUNTO

LED₄₀ FIX

1600 mm	34 W	
1300 mm	28 W	
1000 mm	22 W	
700 mm	16 W	
400 mm	9 W	

Direct 

Indirect 

Drivers / External

DALI, PUSH DIM	LCM40DA
CASAMBI DIM	LCM40BLE

The Led40 is a simple yet impressive interior light, optimized for efficient lighting needs of various spaces.

The FIX model can be used for lighting large interiors, either as a stand-alone light or as a pair.

The FIX model gives a forward or side-facing light, and can be easily and subtly attached to a wall or ceiling.

Collection



Led₄₀

TUNTO

LED₄₀ PENDANT

1600 mm 34 W



1300 mm 28 W



1000 mm 22 W



700 mm 16 W



Direct 

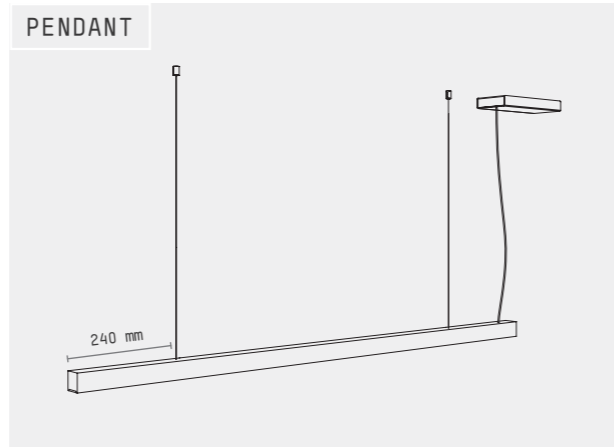
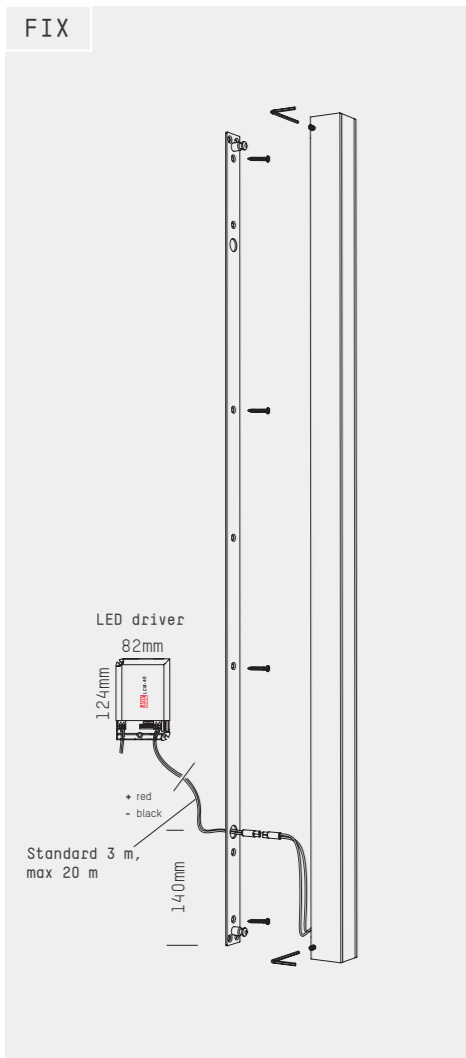
Drivers / Power Box

DALI, PUSH DIM	LCM40DA
CASAMBI DIM	LCM40BLE

The PENDANT model is particularly expressive when suspended above a dining table or office desk.

A pair of Led40s can also be attached to each other for a straight and detailed appearance. The pendant model is equipped with thin steel wires and a transparent power cable.

Collection

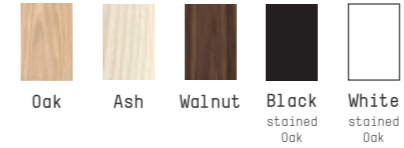


Led40 FIX models assembly

Attach the steel holder to the wall or ceiling. Connect the power source cables to the light's connectors. Place and level the light on the steel holder and tighten screws.

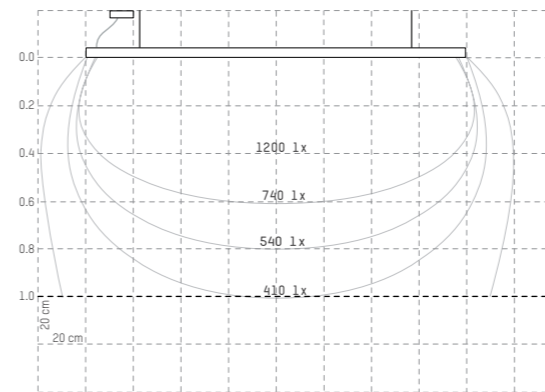
TECHNICAL SPECIFICATIONS

Available colors and materials

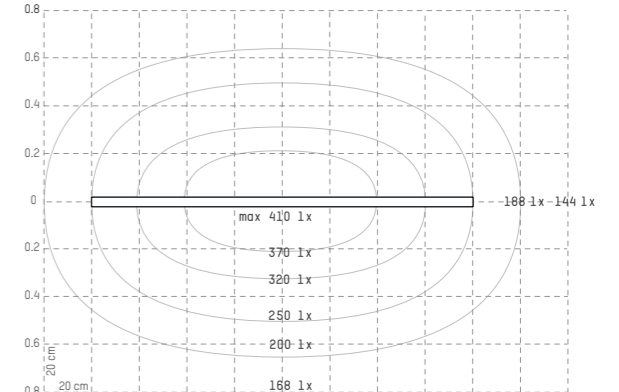


Surface Finish Ash: White Oil wax / Oak, Walnut: Oil wax
Black and White, Lacquer

Led₄₀ 1600 mm pendant lx



Led₄₀ 1600 mm pendant lx / measured 1.0 m on the table



Drivers / Power Box

700 mA	DALI, PUSH DIM	LCM40DA
	CASAMBI DIM	LCM40BLE

Rated Power	9-34 W	Kelvin	2700 K, 3000 K, 4000 K
Voltage	220-240V 50/60 Hz,	Lumen	400 mm / 400 lm, 700 mm / 750 lm 1000 mm / 1100 lm, 1300 mm / 1630 lm 1600 mm / 1800 lm
Output	9-42V 700 mA	CRI	93
Cord Length	Pendant, standard 2 m, transparent. FIX, standard 3 m, Max 20 m.	Package Size	130 x 110 x 460-1660 mm
Power Box	White ceiling cup 220 x 100 x 35 mm RAL 9003 fine efekt	Package Weight	1,3-2,9 kg

INDOOR USE ONLY

NON-USER REPLACEABLE LIGHT SOURCE

IP20



Led₄₀

CUSTOMIZE YOUR LED40 SERIES WITH US.
WE CAN DESIGN AND PRODUCE CUSTOMIZED
OPTIONS OF THE SERIES, TAILOR-MADE FOR
SPECIFIC NEEDS. WE OFFER ENDLESS
POSSIBILITIES FOR DESIGNERS,
ARCHITECTS AND ANYONE WITH A
PERSONAL VISION FOR EXCEPTIONAL
LIGHTING.

Led
40 MODULAR

TUNTO

Collection



LED 40 MODULAR PENDANT

It is also possible to mix, match, and design your own Led40 Modular Pendant combinations with various lengths and light directions.

The interfaces of the combinations are seamless and equipped with a minimal amount of wires and cables for a finished and clean-cut impression.

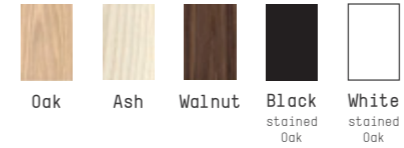
Led

40 MODULAR

TUNTO

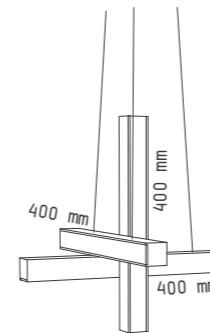
TECHNICAL SPECIFICATIONS

Available colors and materials



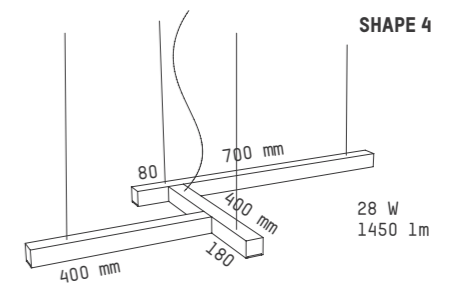
Surface Finish

Ash: White Oil wax / Oak,
Walnut: Oil wax
Black and White, Lacquer



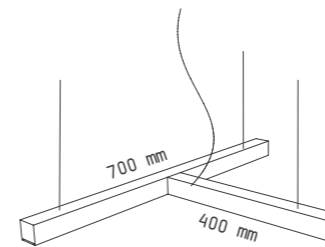
CROSS

22 W
1100 lm



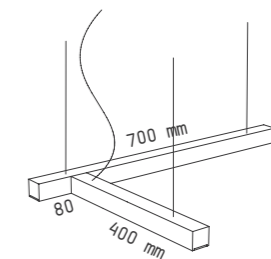
SHAPE 4

28 W
1450 lm



SHAPE T

22 W
1100 lm



SHAPE L

22 W
1100 lm

Drivers / Power Box

700 mA	DALI, PUSH DIM	LCM40DA
	CASAMBI DIM	LCM40BLE

Rated Power	22-28 W	Kelvin	2700 K, 3000 K, 4000 K
Voltage	220-240V 50/60 Hz,	Lumen	1100-1450 lm
Output	25-42V 700 mA	CRI	93
Cord Length	Pendant, standard 2 m, transparent. Max 20 m.	Package Size	130 x 110 x 1220-1660 mm, cross, 450 X 450 X 450mm
Power Box	White ceiling cup 220 x 100 x 35 mm, cross 180 x 40mm RAL 9003 fine efekt	Package Weight	2,2-3 kg, cross 3,8 kg

INDOOR USE ONLY

NON-USER REPLACEABLE LIGHT SOURCE

IP20

CE







Collection





Led₆₀

TUNTO

LED₆₀ FIX

700 mm	28 W		Built-in / Casambi DIM, PUSH DIM
700 mm	28 W		External
400 mm	16 W		Built-in / Casambi DIM, PUSH DIM
400 mm	16 W		External

Direct  Indirect 

Drivers / Built-in

CASAMBI DIM, PUSH DIM	CASBI
-----------------------	-------

Drivers / External

DALI, PUSH DIM	LCM40DA
CASAMBI DIM	LCM40BLE

The Led60 is ideal for efficient and sophisticated lighting needs of a small space. It is perfect for walls, ceilings or table areas.

The Led60 is twice as powerful as the Led40. The FIX model gives a forward or side-facing light, and can be easily and subtly attached to a wall or ceiling.




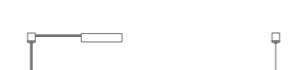


Collection




Led₆₀

TUNTO

LED₆₀ PENDANT

2400 mm	2 X 54 W	
2000 mm	2 X 44 W	
1600 mm	2 X 34 W	
1300 mm	53 W	
1000 mm	40 W	
700 mm	28 W	

Direct 

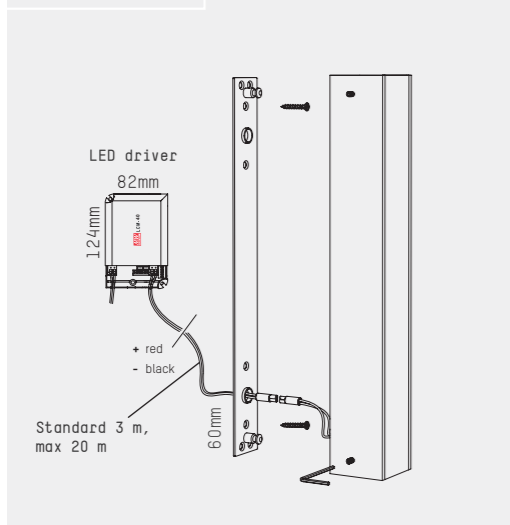
Drivers / External

DALI, PUSH DIM	LCM60DA
CASAMBI DIM	LCM60BLE

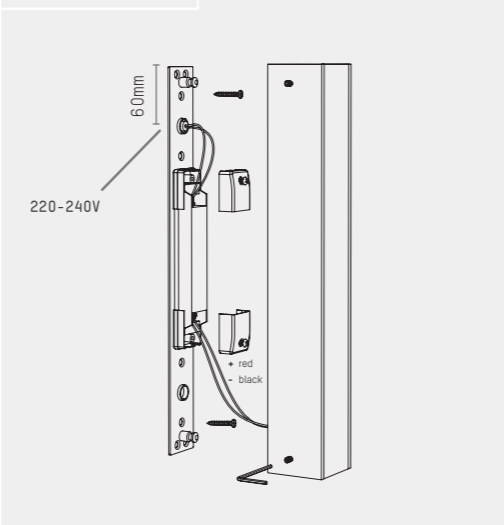
When used in groups of two, Led60 lights fulfill the lighting needs of even the most demanding interior spaces.

Collection

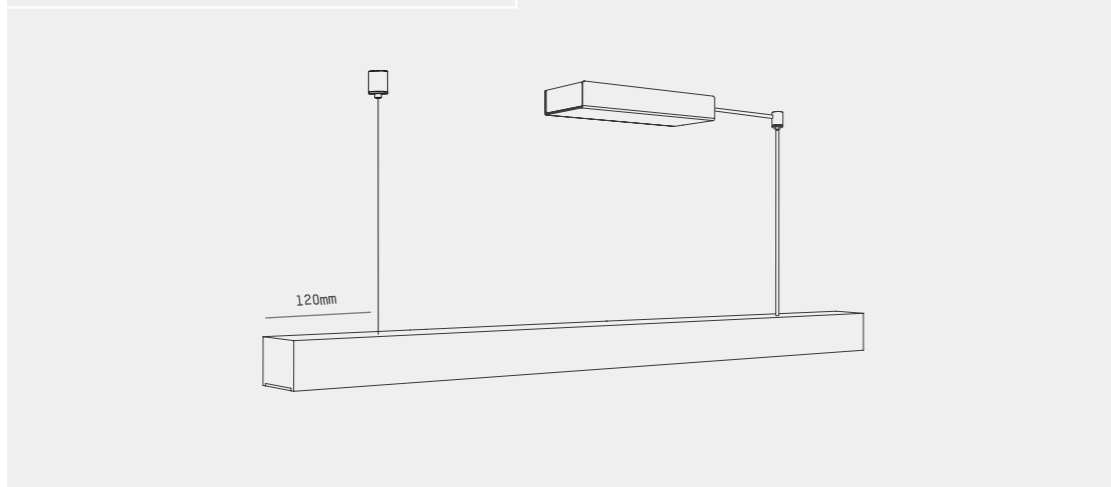
FIX / External model



FIX / Built-in model

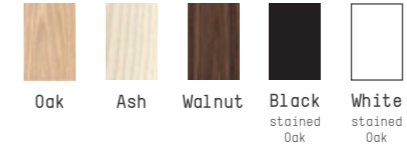


PENDANT / Power box model (standard)



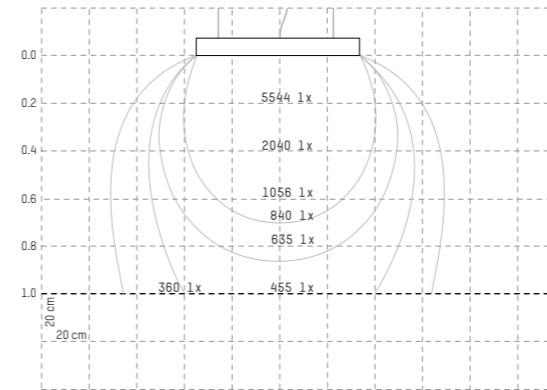
TECHNICAL SPECIFICATIONS

Available colors and materials

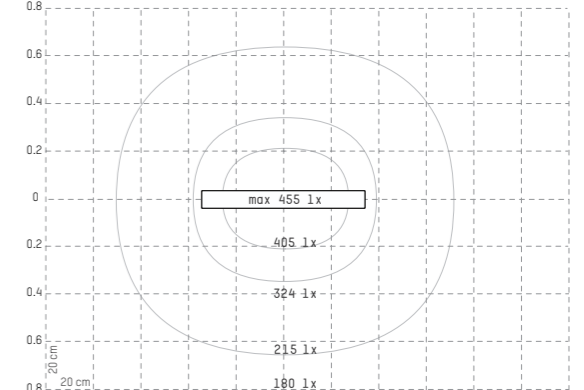


Surface Finish Ash: White Oil wax / Oak, Walnut: Oil wax
Black and White, Lacquer

Led₆₀ 700 mm pendant lx



Led₆₀ 700 mm pendant lx / measured 1.0 m on the table



Drivers / Power Box

700 mA	DALI, PUSH DIM	LCM40/60DA
	CASAMBI DIM	LCM40/60BLE

Drivers / Built-in

700 mA	CASAMBI DIM, PUSH DIM	CASBI
--------	-----------------------	-------

Rated Power	16-53 W, 2x 45-55 W	Kelvin	2700 K, 3000 K, 4000 K	
	Voltage		180-295V 50/60 Hz,	Lumen
Output	18-68V 700 mA	Cord Length	CRI	
Cord Length	Pendant, standard 2 m, transparent. FIX, standard 3 m, Max 20 m.			
Power Box	White ceiling cup 220 x 110 x 35 mm or 430 x 110 x 35 mm, RAL 9003 fine efekt	Package Size	130 x 110 x 600-2450 mm	
		Package Weight	3,5-14,5 kg	

INDOOR USE ONLY

NON-USER REPLACEABLE LIGHT SOURCE

IP20

CE









Led₆₀

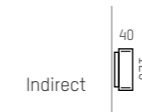


Led₁₂₀

TUNTO

LED₁₂₀ FIX

700 mm	28 W		Built-in / Casambi DIM, PUSH DIM
700 mm	28 W		External
400 mm	16 W		Built-in / Casambi DIM, PUSH DIM
400 mm	16 W		External
200 mm	6 W		Built-in / non-dimmable
200 mm	6 W		External



Drivers / Built-in

Non-dimmable (200 mm size)	RACD06
CASAMBI DIM, PUSH DIM	CASBI

Drivers / External

DALI, PUSH DIM	LCM40DA
CASAMBI DIM	LCM40BLE

Led120 Fix is a sophisticated wall light that provides atmospheric indirect lighting for a wide variety of purposes. Similar to the Pendant model, the Fix model's light is directed both upwards and downwards. The Casambi light control system adds versatility for using the light creatively.

Available in oak, ash or walnut and in black and white.

Collection



Led₁₂₀

TUNTO

Collection



Led₁₂₀

TUNTO

LED₁₂₀ PENDANT

1640 mm 2 x 36 W



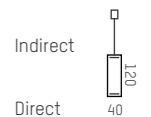
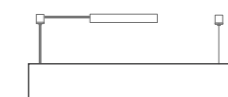
1340 mm 2 x 31 W



1040 mm 2 x 24 W



740 mm 2 x 18 W



Drivers / External

DALI, PUSH DIM	LCM40DA
CASAMBI DIM	LCM40BLE

Drivers / External, Tunable white

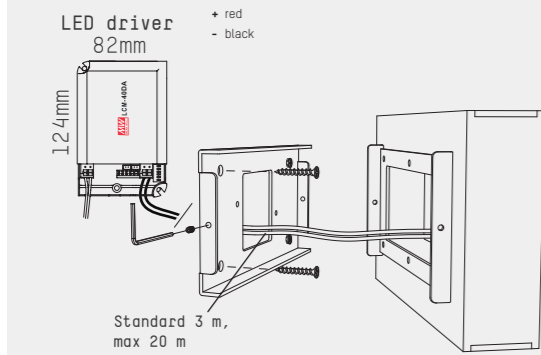
DALI, PUSH DIM	HLC45
CASAMBI DIM	TRILC

Led120 Pendant is an elegant and versatile light that suits spaces which benefit from both direct and indirect lighting. The light is directed upwards and downwards, creating a stylish, eye-catching atmosphere. Both light directions can be controlled separately. The ceiling casing has room for two power sources. The optional Casambi light control system adds versatility for using the light creatively.

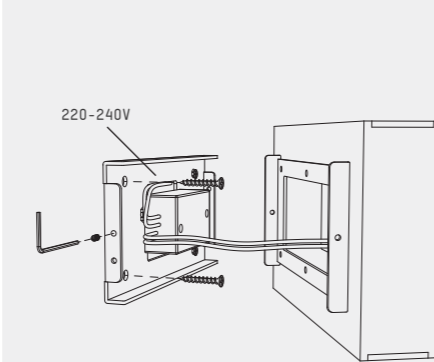
Available in oak, ash or walnut and in black and white.

Collection

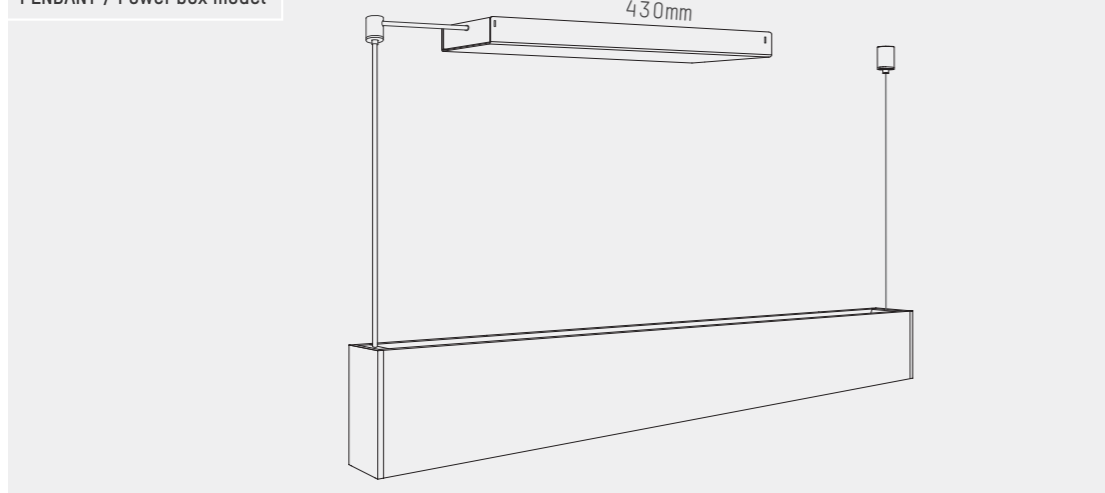
FIX / External model



FIX / Built-in model



PENDANT / Power box model

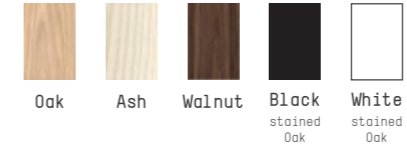


Led₁₂₀

TUNTO

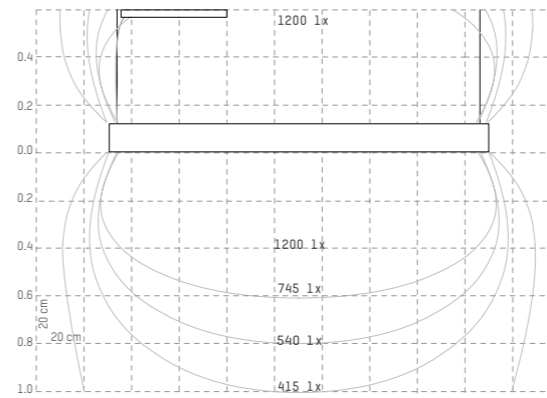
TECHNICAL SPECIFICATIONS

Available colors and materials

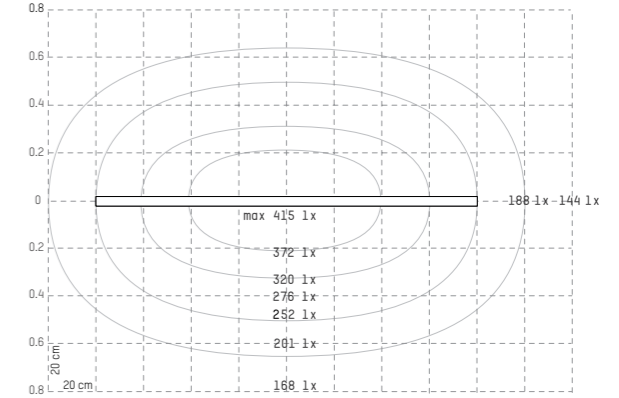


Surface Finish Ash: White Oil wax / Oak, Walnut: Oil wax
Black and White, Lacquer

Led₁₂₀ 1600 mm pendant lx



Led₁₂₀ 1600 mm pendant lx / measured 1.0 m on the table



Drivers / External

700 mA	DALI, PUSH DIM	LCM40DA
	CASAMBI DIM	LCM40BLE

Drivers / Built-in

500 mA	Non-dimmable (200mm size)	RACD06
700 mA	CASAMBI DIM, PUSH DIM	CASBI

Drivers / External, Tunable white

700 mA	DALI, PUSH DIM	HLC45
	CASAMBI DIM	TRILC

Rated Power	Fix 6-31 W, pendant 2 x 18-36 W	Kelvin	2700 K, 3000 K, 4000 K Tunable white 2700-6500 K
Voltage	180-295V 50/60 Hz,	Lumen	200mm / 300 lm, 400 mm / 800 lm, 700 mm / 1500 lm, 1040m / 2200 lm, 1340mm / 3260 lm, 1640mm / 3600 lm
Output	fix 6-34V, pendant 2 x 20-46V, 700 mA	CRI, UGR	93, UGR<19
Cord Length	Pendant, standard 2 m, transparent. FIX, standard 3m, Max 20m.	Package Size	120 x 110-200 x 300-1700 mm
Power Box	White ceiling cup 430 x 110 x 35 mm RAL 9003 fine efekt	Package Weight	3,5-8 kg

INDOOR USE ONLY

NON-USER REPLACEABLE LIGHT SOURCE

IP20

CE



Collection

SQUARE PENDANT IS A OFFICE LIGHT THAT CATERS TO THE DEMANDING NEEDS OF A MODERN HUMAN CENTRIC WORKPLACE LIGHTING.



Square

TUNTO

Collection



Square

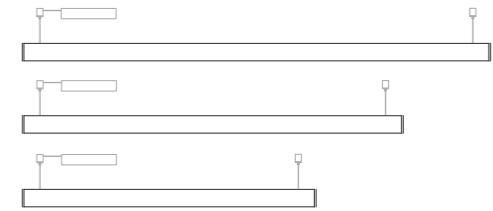
TUNTO

SQUARE PENDANT

1640 mm 36 W

1340 mm 31 W

1040 mm 24 W

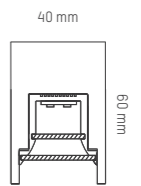


Drivers / External

DALI, PUSH DIM	LCM40DA
CASAMBI DIM	LCM40BLE

Drivers / External, Tunable white

DALI, PUSH DIM	HLC45
CASAMBI DIM	TRILC



The advanced micro prism opal diffuser gives a remarkably low glare, resulting in a pleasant but efficient light.



Collection

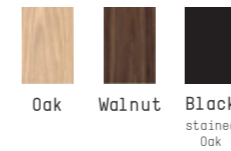


Square

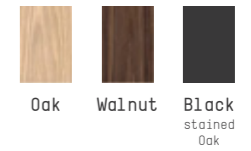
TUNTO

TECHNICAL SPECIFICATIONS

Available colors and materials

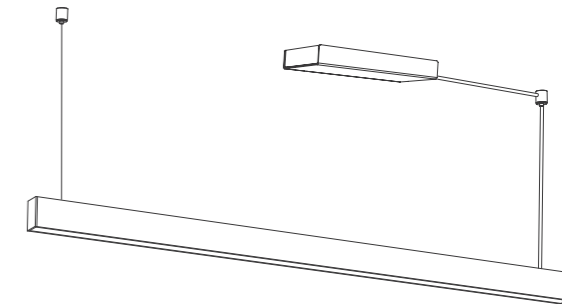
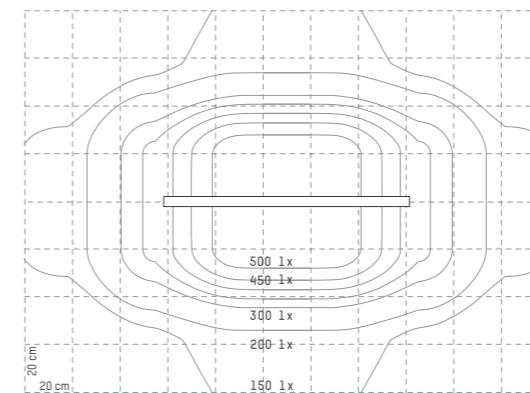


End cap color



Surface Finish Oak, Walnut: Oil wax, Black Lacquer

Curve 1040 mm pendant lx / measured 1.0 m on the table



Drivers / External

500 mA	DALI, PUSH DIM	LCM40DA
	CASAMBI DIM	LCM40BLE

Drivers / External, Tunable white

500 mA	DALI, PUSH DIM	HLC45
	CASAMBI DIM	TRILC

Rated Power	24-36 W	Kelvin	2700 K, 3000 K, 4000 K
	Voltage		220-240V 50/60 Hz,
Output	20-46V 350-900 mA, (standard 500mA)	Lumen	1040 mm / 1300 lm 1340 mm / 1660 lm, 1640 mm / 1950 lm
Cord Length	Standard 3 m, Transparent 5 mm, 6 mm with Tunable white.	CRI, UGR	93, UGR<19
		Package Size	100 x 115 x 1080-1680 mm
Power Box	Ceiling cup 220 x 110 x 35 mm White RAL 9003 fine efekt	Package Weight	1,5-3 kg

INDOOR USE ONLY

NON-USER REPLACEABLE LIGHT SOURCE

IP20

CE



Collection



CURVE IS A STATE-OF-THE-ART OFFICE LIGHT THAT CATERS TO THE DEMANDING NEEDS OF A MODERN WORKSPACE. WE AIMED FOR A SOFT IMPRESSION WITH THE MATERIALS AND THE DESIGN.



Curve



Curve

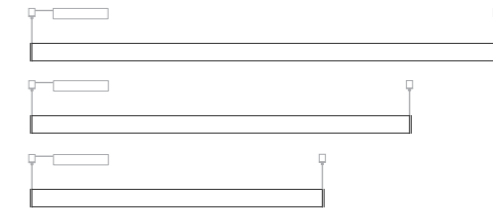
TUNTO

CURVE PENDANT

1640 mm 36 W

1340 mm 31 W

1040 mm 24 W

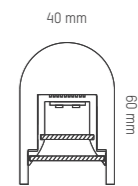


Drivers / External

DALI, PUSH DIM	LCM40DA
CASAMBI DIM	LCM40BLE

Drivers / External, Tunable white

DALI, PUSH DIM	HLC45
CASAMBI DIM	TRILC



The advanced micro prism opal diffuser gives a remarkably low glare, resulting in a pleasant but efficient light.

The lamps's end are made of steel in painted black or 24K coated gold. The twin cables allow for a easy installation.

Collection

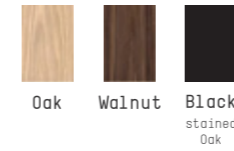


Curve

TUNTO

TECHNICAL SPECIFICATIONS

Available colors and materials



Oak Walnut Black stained Oak

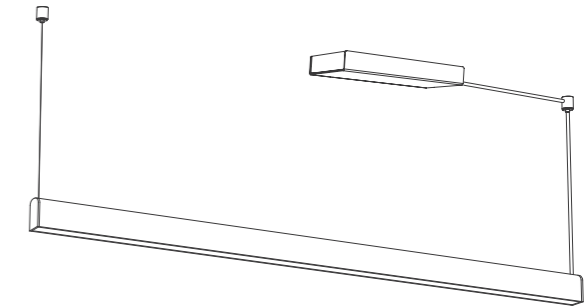
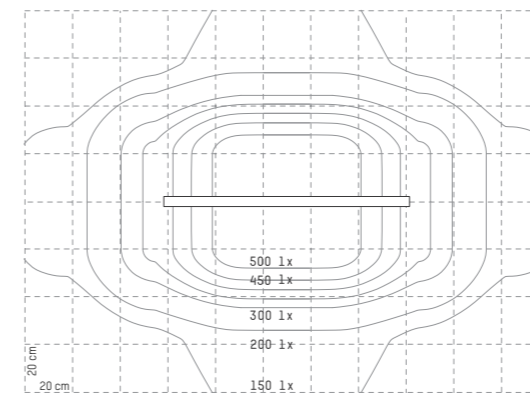
End cap color



Black 24K Gold plated

Surface Finish Oak, Walnut: Oil wax, Black Lacquer

Curve 1040 mm pendant lx / measured 1.0 m on the table



Drivers / External

500 mA	DALI, PUSH DIM	LCM40DA
	CASAMBI DIM	LCM40BLE

Drivers / External, Tunable white

500 mA	DALI, PUSH DIM	HLC45
	CASAMBI DIM	TRILC

Rated Power	24-36 W	Kelvin	2700 K, 3000 K, 4000 K
Voltage	220-240V 50/60 Hz,	Lumen	2700-6500K tunable white
Output	20-46V 350-900 mA, [standard 500mA]		1040 mm / 1300 lm
Cord Length	Standard 3 m, Transparent 5 mm, 6 mm with Tunable white.	CRI, UGR	1340 mm / 1660 lm, 1640 mm / 1950 lm 93, UGR<19
Power Box	Ceiling cup 220 x 110 x 35 mm White RAL 9003 fine efekt	Package Size	100 x 115 x 1080-1680 mm
		Package Weight	1,5-3 kg

INDOOR USE ONLY

NON-USER REPLACEABLE LIGHT SOURCE

IP20

CE



Collection

THE SMOOTH AND ELEGANTLY CURVED SWAN SERIES REVEALS THE ULTIMATE PROOF OF TUNTO'S VISION AND EXPERTISE. HERE, WOOD AND SEAMLESSLY INTEGRATED LENSES ARE COMBINED IMPECCABLY FOR THE PERFECT FINISH.



Swan collection



Swan pendant

TUNTO



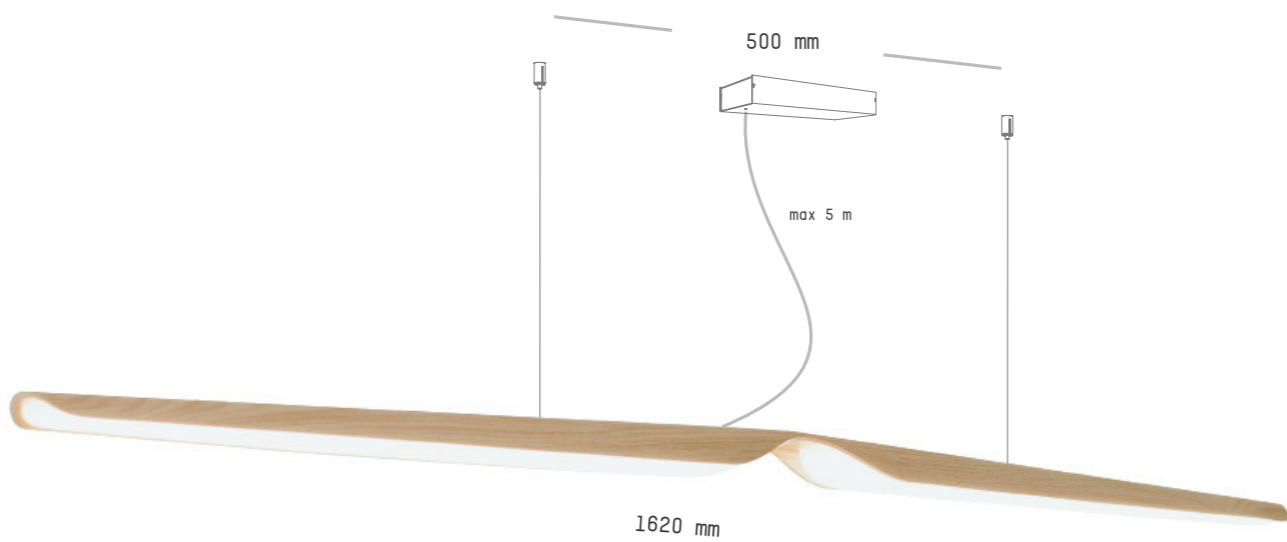
Swan pendant walnut in the picture.

110 — 111

STRIKINGLY SMOOTH

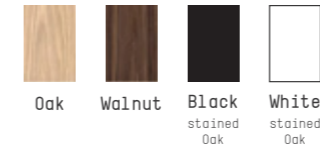
The Swan Pendant is a spectacularly elegant choice for interiors with even the most demanding requirements for an impressive appearance.

Collection



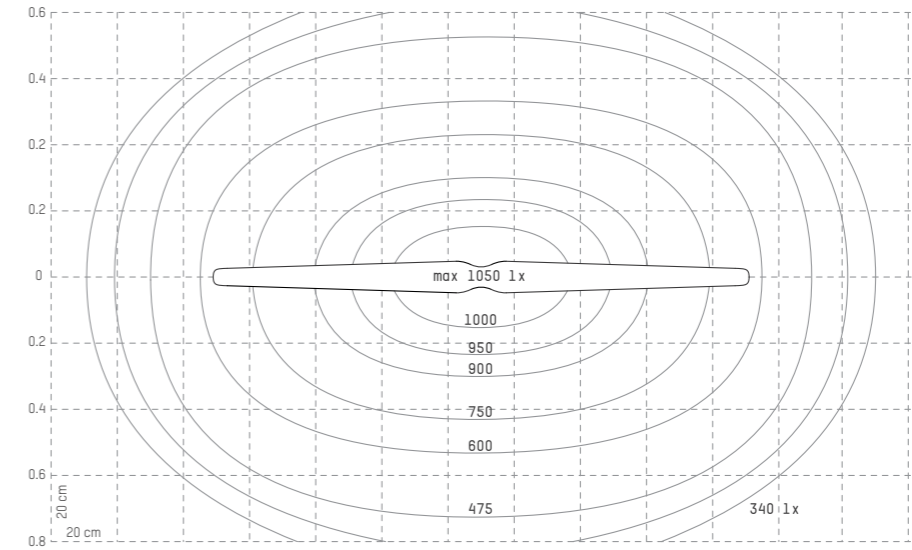
TECHNICAL SPECIFICATIONS

Available colors and materials



Surface Finish Lacquer

Swan Pendant 500mA lx measured 1.0 m on the table



Drivers / Power Box

350 / 500 mA	DALI, PUSH DIM	LCM40DA
	CASAMBI DIM	LCM40BLE

Drivers / Power Box

600 mA	DALI, PUSH DIM	LCM60DA
	CASAMBI DIM	LCM60BLE

Rated Power	25-43 W	Kelvin	2700 K, 3000 K
Voltage	180-295V 50/60 Hz,	Lumen	350 mA, 25 W / 2814 lm
Output	350, 500, 600 mA		500 mA, 36 W / 3951 lm
Cord Length	Standard 2 m, on request max 5 m, transparent	CRI	93
Power Box	White ceiling cup 220x100x35mm RAL 9003 fine efekt	Package Size	130 x 110 x 1660 mm
		Package Weight	3,5 kg

INDOOR USE ONLY

NON-USER REPLACEABLE LIGHT SOURCE

IP20

CE



Swan pendant

TUNTO

Collection

ELEGANCE IN THE AIR

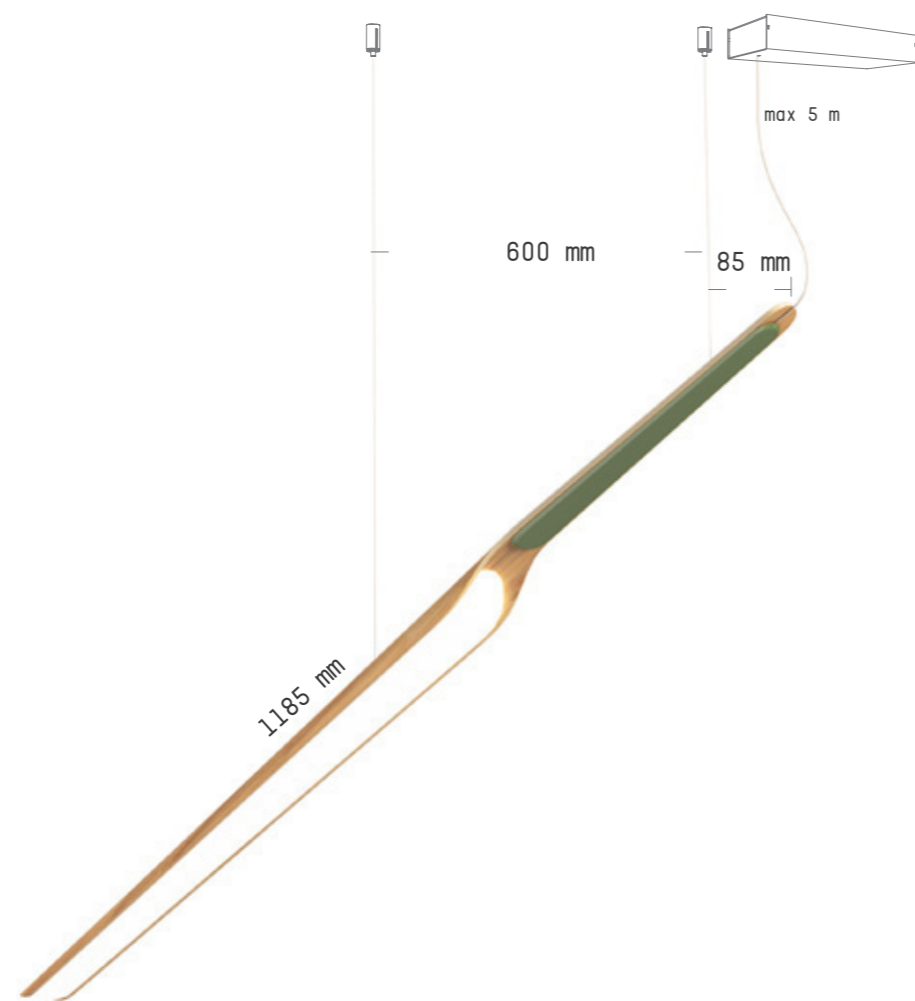
The Swan Wing Pendant complements the elegant Swan family with a graceful lining. The Wing provides a completely new way of combining the lights.

Swan wing

TUNTO



Collection



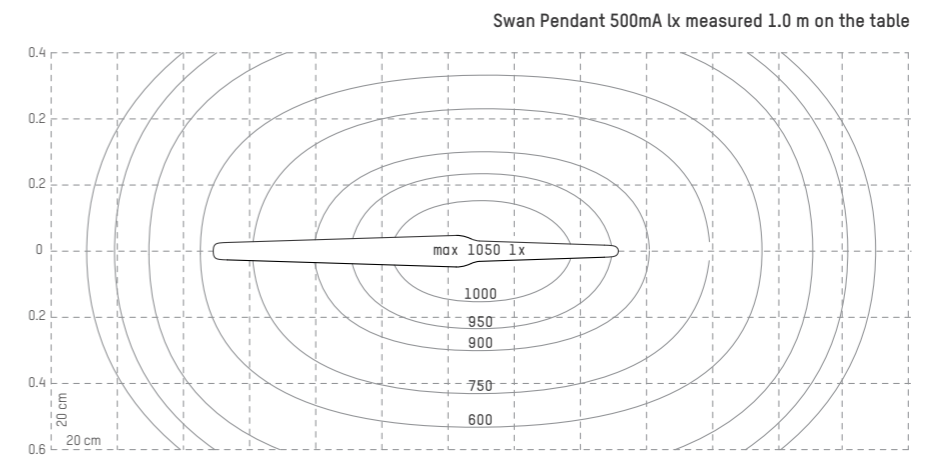
TECHNICAL SPECIFICATIONS

Available colors and materials

				Surface Finish	Lacquer
Oak	Walnut	Black stained Oak	White stained Oak		

Cover plate colors and materials

Oak	Walnut	Black	White	Green	Red



Drivers / Power Box

350 / 500 mA, 600mA	DALI, PUSH DIM	LCM40DA
	CASAMBI DIM	LCM40BLE

Rated Power Voltage Output	15-25 W 180-295V 50/60 Hz, 350, 500, 600 mA	Kelvin Lumen	2700 K, 3000 K, 350 mA, 15 W / 1400 lm 500 mA, 21 W / 1975 lm 600 mA, 25 W / 2310 lm
	Cord Length		Standard 2 m, on request max 5 m, transparent
Power Box	White ceiling cup 220x100x35mm or round cup 40x180mm. RAL 9003 fine efekt	Package Size Package Weight	130 x 110 x 1245 mm 2,5 kg

INDOOR USE ONLY NON-USER REPLACEABLE LIGHT SOURCE IP20 CE

ELEGANCE ON THE FLOOR

The Swan Floor is noble and slender at the same time, suiting various kinds of interiors and environments.

The stepless touch-sensitive switch is stylishly hidden in the body of the lamp.

Swan floor

TUNTO



Collection

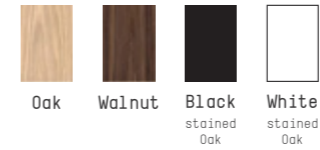


Swan floor

TUNTO

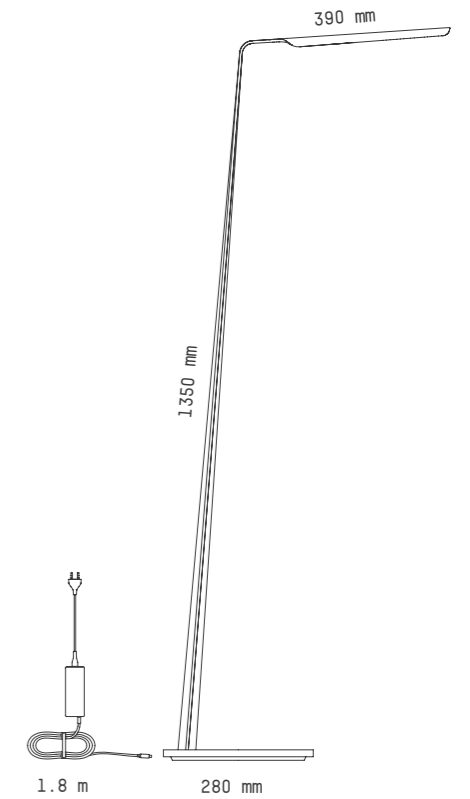
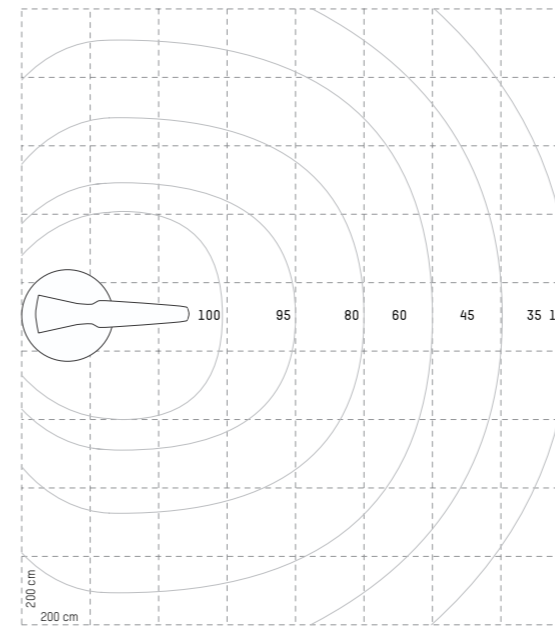
TECHNICAL SPECIFICATIONS

Available colors and materials



Surface Finish Lacquer

Swan floor lx



Power Use	14-7,5 W	Kelvin	2700 K, 3000 K
Voltage	100-240V 50/60 Hz	Lumen	max 1090 lm, lowest level 660 lm
Output	18-24V	CRI	93
Cord Length	1,8 m	Package Size	1450 x 500 x 340 mm
Suitable	EURO, UK, USA/Japan	Package Weight	7 kg

INDOOR USE ONLY

NON-USER REPLACEABLE LIGHT SOURCE

IP20

CE



Collection

TASTEFUL CURVES ON THE TABLE

The Swan Table light combines functionality with a smooth and curvy appearance. It is perfect for tables in any interior where elegant lighting is required.

Swan table



TUNTO

Collection

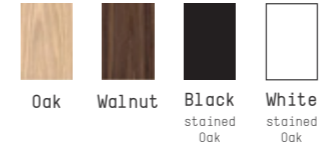


Swan table

TUNTO

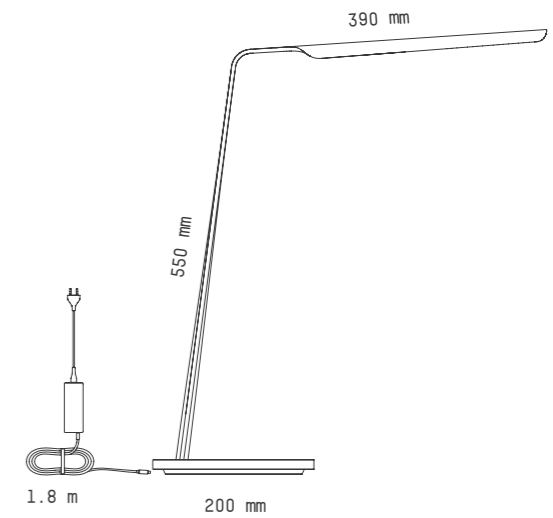
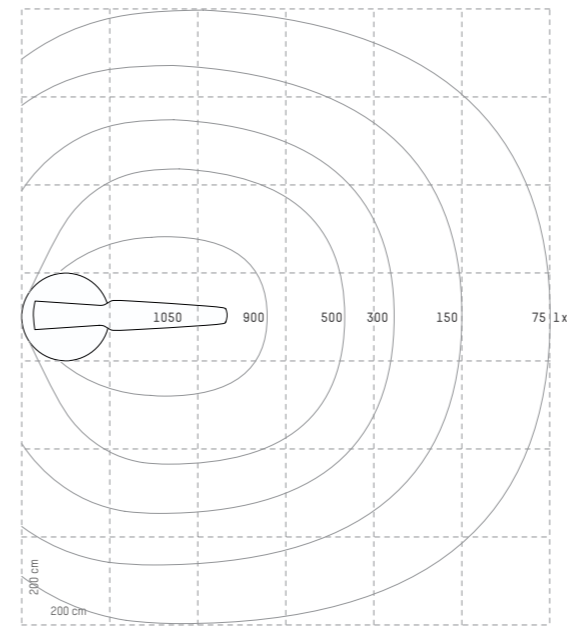
TECHNICAL SPECIFICATIONS

Available colors and materials



Surface Finish Lacquer

Swan table lx



Power Use	14-7,5 W, with Qi 20W	Kelvin	2700 K, 3000 K
Voltage	100-240V 50/60 Hz	Lumen	max 1090 lm, lowest level 660 lm
Output	18-24V	CRI	93 Typ
Cord Length	1,8 m	Package Size	590 x 570 x 220 mm
Suitable	EURO, UK, USA/Japan	Package Weight	3 kg
Qi Operating Mode	Qi 1.0 standard compatible		

INDOOR USE ONLY

NON-USERS REPLACEABLE LIGHT SOURCE

IP20

CE



Collection

A SWAN ON THE WALL

The Swan Wall light completes the Swan series with its graceful appearance. It can be used as stand-alone or a group of lights on various kinds of walls and corridors.

Swan wall

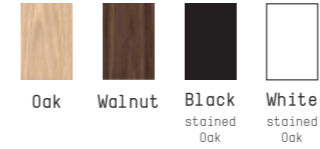


Swan wall

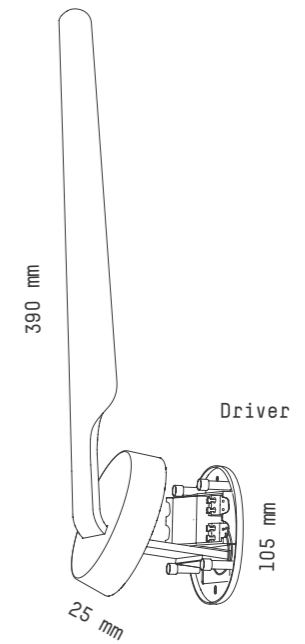
TUNTO

TECHNICAL SPECIFICATIONS

Available colors and materials



Surface Finish Lacquer



BUILT-IN MODEL

Rated Power	6 W	Kelvin	2700 K, 3000 K
Voltage	90-264V 50/60 Hz	Lumen	600 lm
Output	15V 500 mA	CRI	93
Drivers	Non-dimmable Driver size 58 x 35 x 21mm	Package Size	500 x 125 x 120 mm
		Package Weight	1 kg

INDOOR USE ONLY

NON-USERS REPLACEABLE LIGHT SOURCE

IP20

CE



Collection

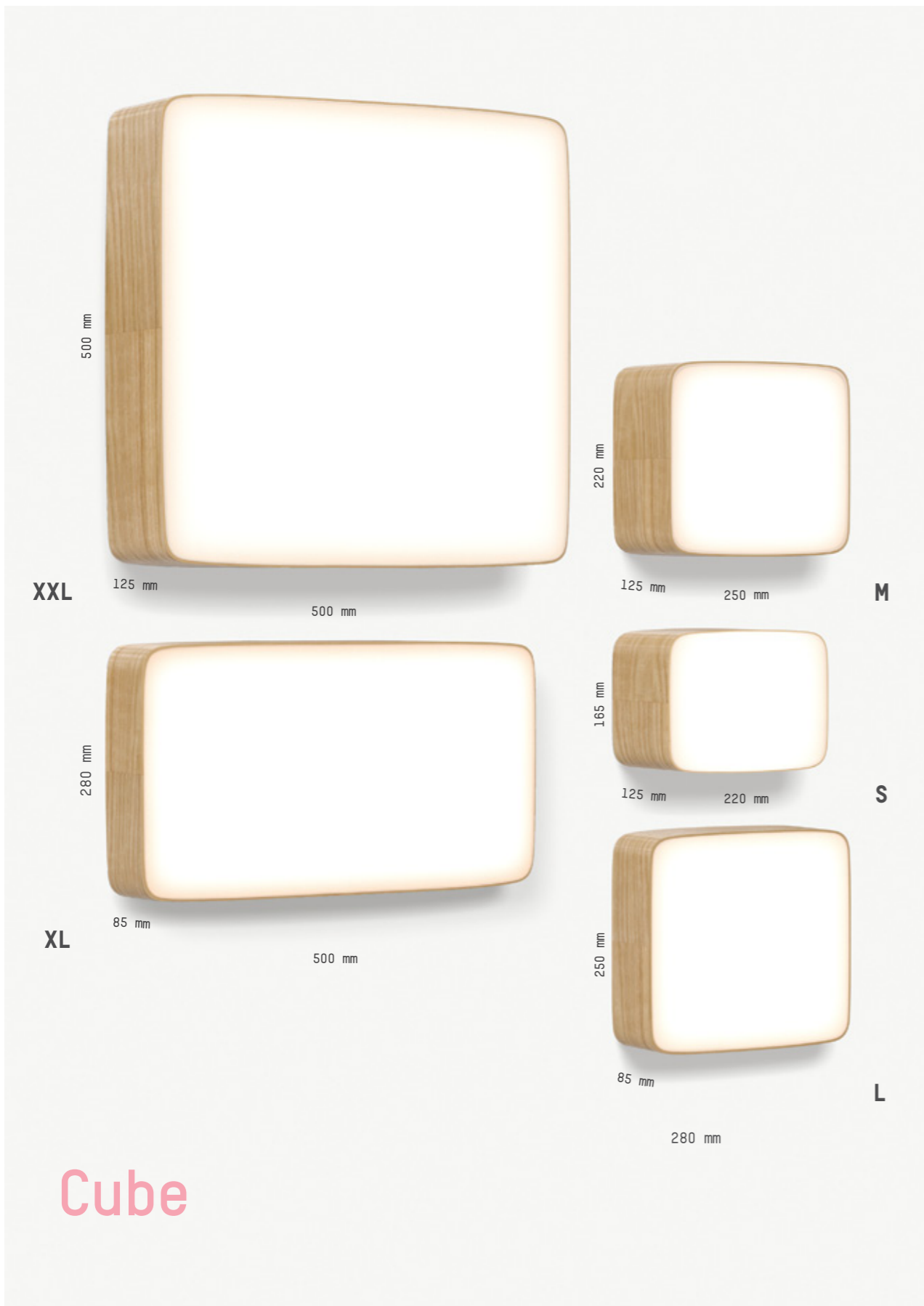
THE CUBE LIGHTS UP AN INTERIOR
WITH ITS SLEEK, ROUND DESIGN AND
WARM LIGHT.



Cube

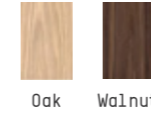


Cube oak in the picture.



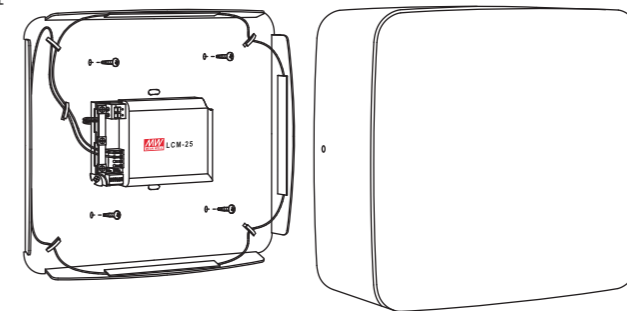
TECHNICAL SPECIFICATIONS

Available colors and materials



Surface Finish Oil Wax

Built-in model



Drivers

700 mA	DALI, PUSH DIM	LCM25/40DA
	CASAMBI DIM	LCM25/40BLE

Drivers / Tunable white

700 mA	DALI, PUSH DIM	HLC45	Kelvin	2700 K, 3000 K, 4000 K or Tunable white 2700-6500 K
	CASAMBI DIM	TRILC		
			Lumen	S:440 lm, M:830 lm, L:1000 lm, XL:1300 lm, XXL:1800 lm
			CRI	93

Rated Power	S:11 W, M:16 W, L:20 W XL:28 W, XXL:37 W	Package Size	S, M, L: 330 x 330 x 180 mm XL/ XXL: 590 x 570 x 220 mm
Voltage Output	180-277V 50/60 Hz S: 12V, M: 18V, L: 24V, XL: 36V, XXL: 47V / 700 mA		Package Weight

INDOOR USE ONLY

NON-USER REPLACEABLE LIGHT SOURCE

IP20

CE



Collection

THE BUTTERFLY REPRESENTS THE LATEST IN TUNTO DESIGN AND TECHNOLOGY. ITS ADVANCED, ULTRA-THIN DESIGN – WITH STATE-OF-THE-ART OLED PANELS – EMITS A POWERFUL YET PLEASANT LIGHT.

Butterfly



Butterfly₂

TUNTO

The Butterfly lights are dimmable and extremely versatile, making them perfect for enhancing and uplifting any interior.

Collection



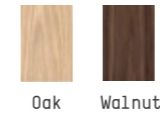
The Butterfly lights are optimal in their distinctive look and efficiency when used as a pair or a group.

Butterfly₃

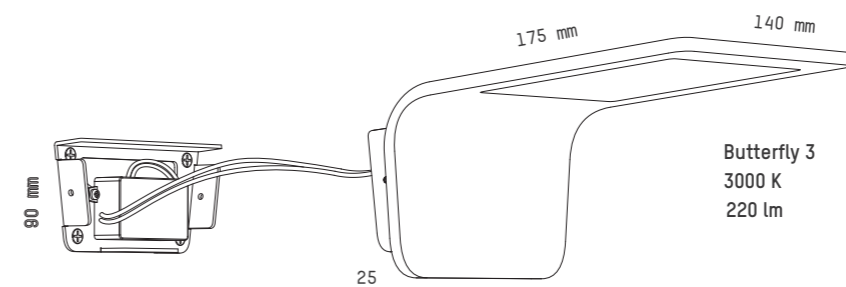
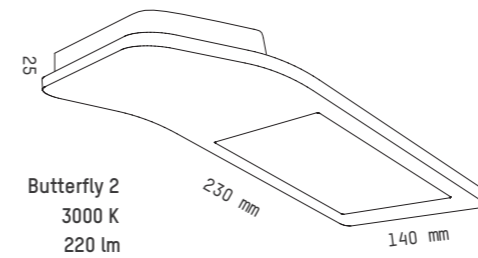
TUNTO

TECHNICAL SPECIFICATIONS

Available colors and materials



Surface Finish: Oil Wax



Rated Power	6,8 W	Kelvin	3000 K
Voltage	100-240V	Lumen	220 lm
Output	19V 215 mA	CRI	90
		Package Size	205 x 95 x 85 mm, 240 x 150 x 90 mm
		Package Weight	1 kg

INDOOR USE ONLY

NON-USER REPLACEABLE LIGHT SOURCE

IP20

CE



Collection

BALLON IS AN ALL-NEW, VERSATILE AND ADJUSTABLE FAMILY OF A NEW, CREATIVELY SHAPED ORGANIC DESIGN LANGUAGE, WITH TASTEFUL TOUCHES OF WOOD IN THE TUNTO FASHION.



Ballon wall 3



The elegant Ballon Wall 3 comes in two options – left-hand and right-hand.



Ballon wall 3

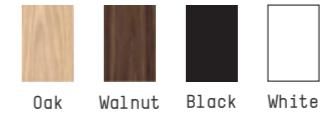
TUNTO

TECHNICAL SPECIFICATIONS

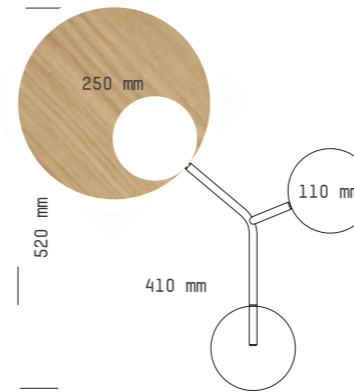
Frame and 110mm panel colors



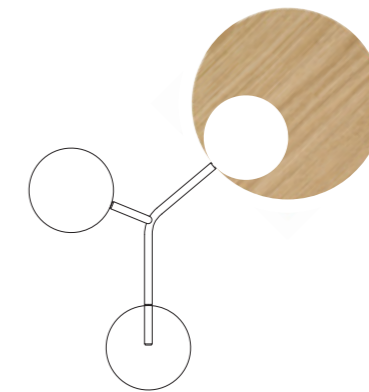
250mm panel colors and materials



Wood Surface Finish: Lacquer



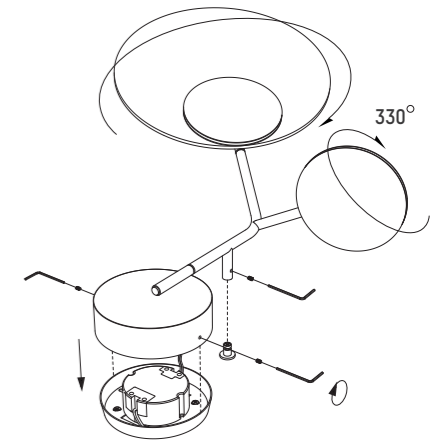
LEFT SIDE MODEL



RIGHT SIDE MODEL

110mm Mounting cup, same color as the frame.

Adjustable panels,
Panels rotate 330 degrees: Large 250 mm, Small 110 mm



Drivers / Built-in

350 mA	non dimmable	RECD06
--------	--------------	--------

Drivers / External

350 mA	DALI, PUSH DIM	LCM25DA
	CASAMBI DIM	LCM40BLE

Rated Power	8 W	Kelvin	2700 K, 3000 K
Voltage	100-240V 50/60 Hz,	Lumen	300 lm
Output	17,5 V 350 mA	CRI	97, R9=91
Cord Length	External driver cable length, Standard 3 m,	Package Size	560 x 490x 285 mm
Frame color	Black RAL 9005 fine efekt, White RAL 9003 fine efekt	Package Weight	3,5 kg

INDOOR USE ONLY

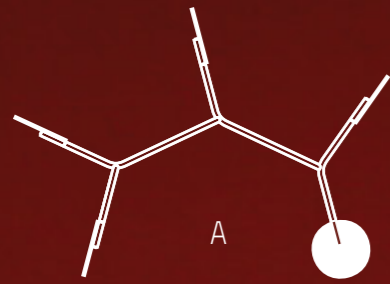
NON-USER REPLACEABLE LIGHT SOURCE

IP20

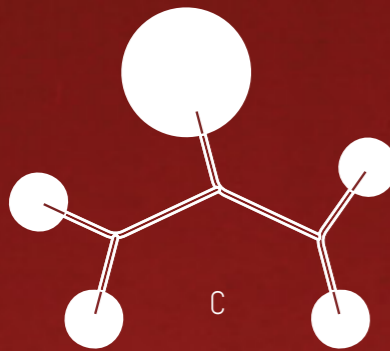
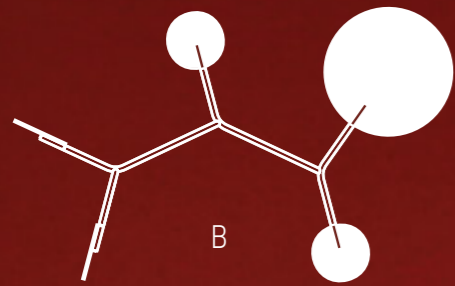
CE



Collection



The striking Ballon Wall 5 is available in three highly-adjustable options, catering for highly individual needs in lighting and aesthetics.



Ballon wall 5





Ballon wall 5

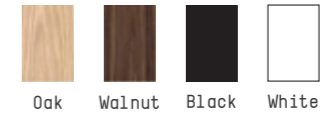
TUNTO

TECHNICAL SPECIFICATIONS

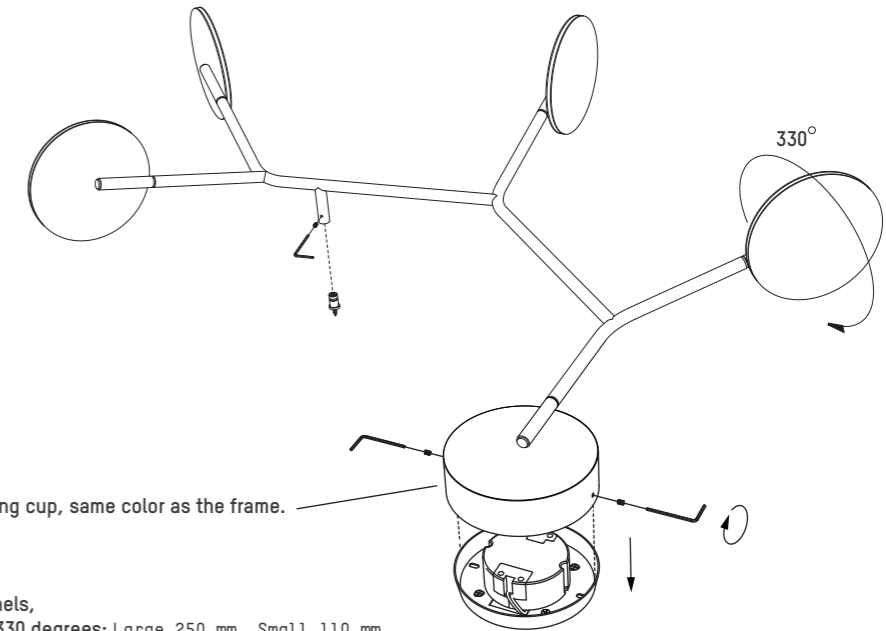
Frame and 110 mm panel colors



250 mm panel colors and materials



Wood Surface Finish: Lacquer



110mm Mounting cup, same color as the frame.

Adjustable panels,
Panels rotate 330 degrees: Large 250 mm, Small 110 mm

Drivers / Built-in

500 mA	non dimmable	TRI LC
--------	--------------	--------

Drivers / External

500 mA	DALI, PUSH DIM	LCM25DA
	CASAMBI DIM	LCM40BLE

Rated Power	20 W	Kelvin	2700, 3000 K
Voltage	220-240V 50/60 Hz,	Lumen	800 lm
Output	36 V 500 mA	CRI	97, R9=91
Cord Length	External driver cable length, Standard 3 m,	Package Size	920 x 710 x 230 mm
Frame color	Black RAL 9005 fine efekt, White RAL 9003 fine efekt	Package Weight	7 kg

INDOOR USE ONLY

NON-USERS REPLACEABLE LIGHT SOURCE

IP20

CE



Collection

THE BALLON PENDANT IS A TRULY UNIQUE
PENDANT LAMP, HAVING THE ABILITY TO
TRANSFORM ENDLESSLY ACCORDING TO
DIFFERENT ROOMS, SPACES AND
ATMOSPHERES.

Ballon pendant





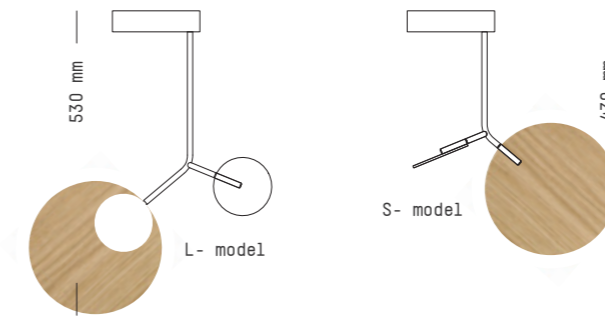
Ballon pendant: special model L-model, 24k Gold frame, 110mm black panel, 250mm oak panel in the picture.

Ballon pendant

TUNTO

MODEL OPTION SPECIFICATIONS

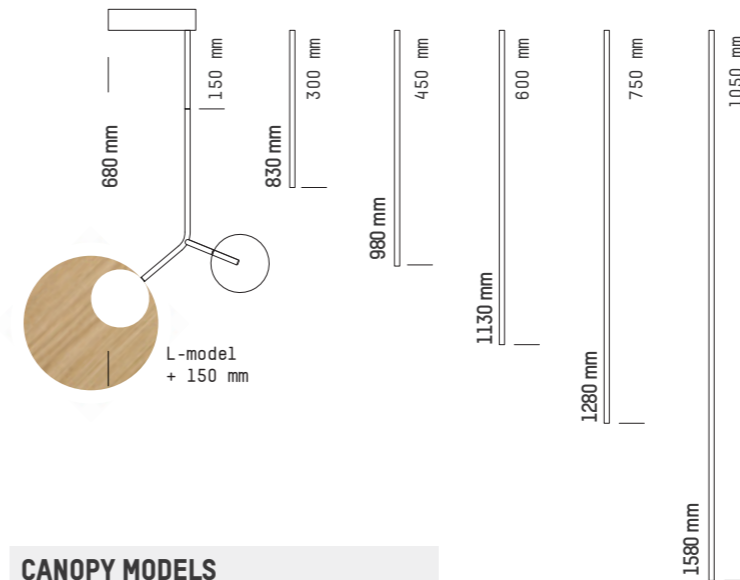
L-MODEL / S-MODEL



Adjustable panels: large 250 mm, small 110 mm

The Ballon Pendant comes in two options: the L-model and the S-model. The length of the frame can be adjusted with extension tube. The frame comes in black, white or 24K gold coating, and the canopy's material can be chosen accordingly.

EXTENSION TUBE



CANOPY MODELS

1-2 Unit Canopy

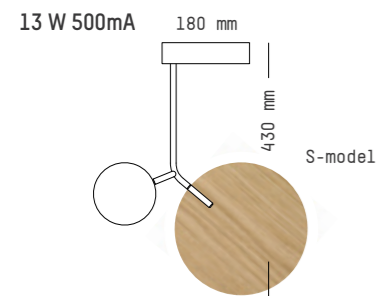


3 Units Canopy

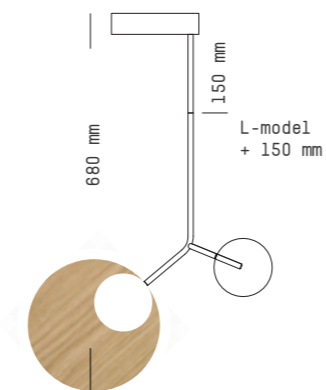
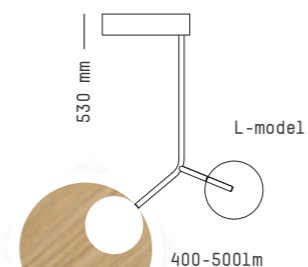


Collection

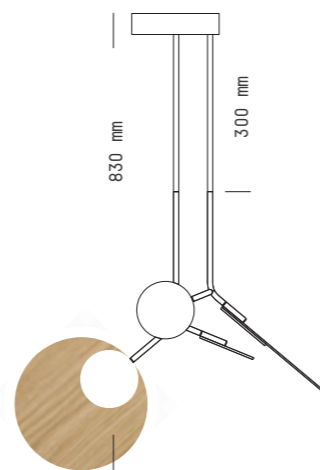
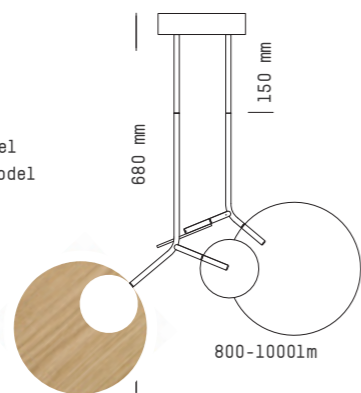
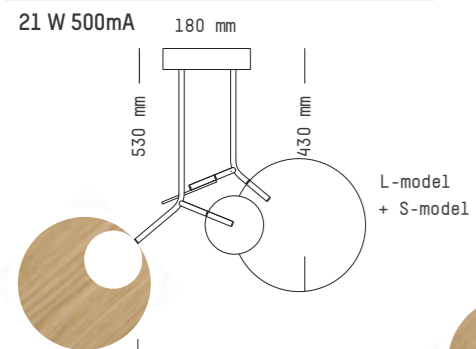
BALLON pendant 1 Unit



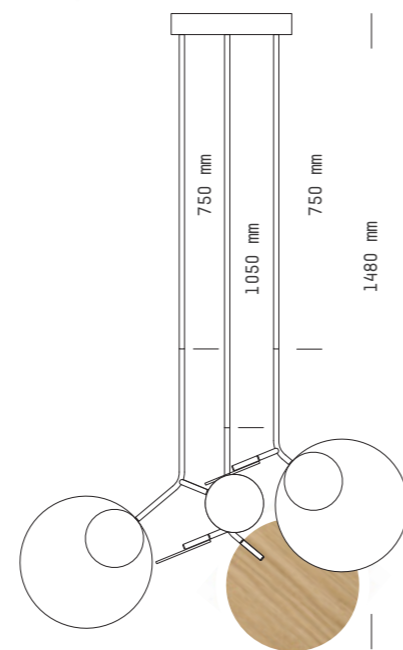
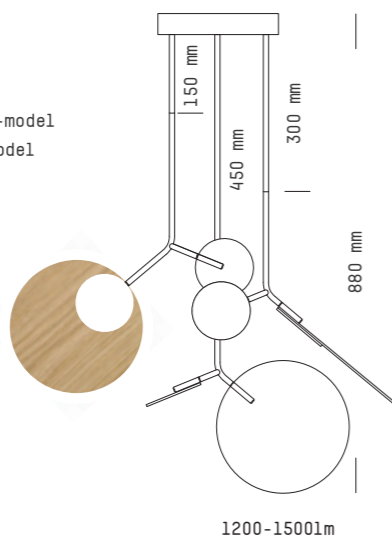
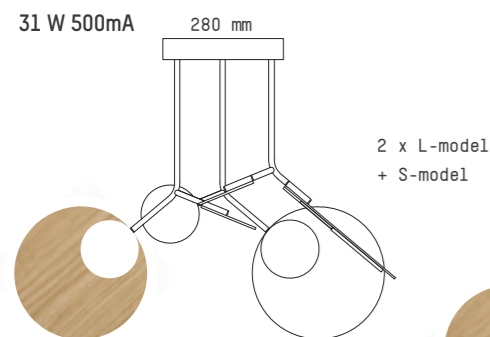
MODEL EXAMPLES



BALLON pendant 2 Unit



BALLON pendant 3 Unit



TECHNICAL SPECIFICATIONS

Frame Available colors and materials

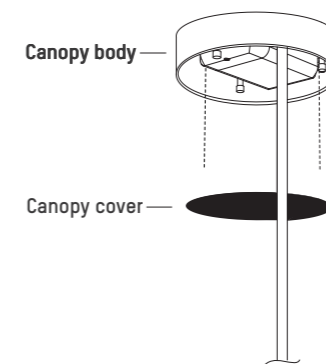
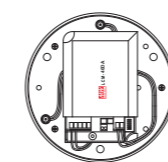
Black White 24K Gold plated

Oak Walnut Black White

Canopy body and 110 mm panel color

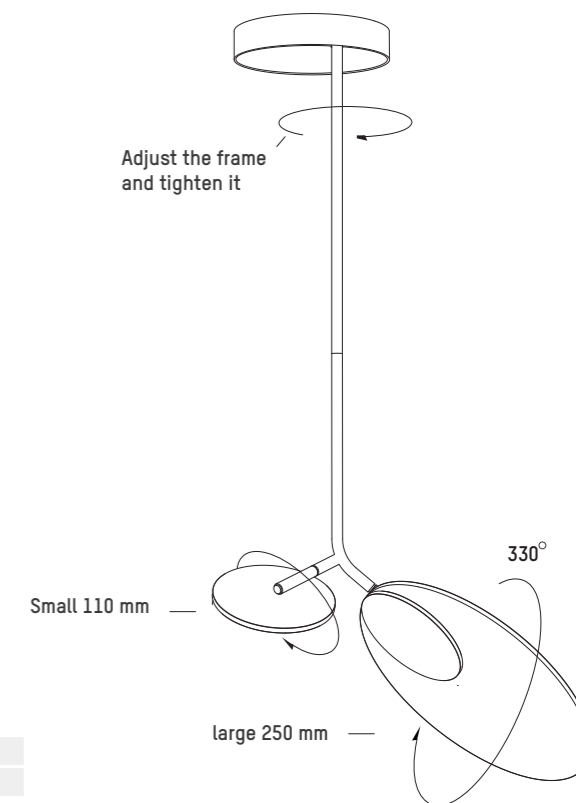
Black White

Wood Surface Finish: Lacquer



Adjust the frame and tighten it

Adjustable panels, Panels rotate 330 degrees: Large 250 mm, Small 110 mm



Drivers /Built-in

500, 600, 700 mA	DALI, PUSH DIM	LCM-40DA
	CASAMBI DIM	LCM40BLE

Rated Power	13-44 W	Kelvin	2700 K, 3000 K
	Voltage		180-295V 50/60 Hz,
Output	18 - 57V 500mA (standard), 600, 700mA	CRI	97, R9=87
Canopy	1-2 unit 180mm x 40mm, 3 unit 280mm x 40mm	Package Size	900-1600 x 480 x 150 mm, U1 unit
Frame, Canopy color	White RAL 9003 fine efekt Black RAL 9005 fine efekt	Package Weight	5,5 kg

INDOOR USE ONLY

NON-USERS REPLACEABLE LIGHT SOURCE

IP20

CE



Ballon pendant

**A LUMINAIRE THAT IS BOTH A
SCULPTURE AND A FLOWER.**

The Ballon series draws its design from the organic shapes and patterns of nature, with a sprinkle of inspiration from the sculptural arts.

The luminaires in the series combine various materials and the latest technology with a highly visual form language.

Ballon table

TUNTO



Collection

The Ballon Table was creatively influenced by the endlessly graceful and harmonious forms of plants and flowers. The light can be effortlessly operated with the Tunto EnOcean wireless switch that complements the style and grace of the luminaire.

Ballon table

TUNTO

Collection



The various parts of the luminaire are adjustable and customizable for creating a nearly unlimited variety of forms and moods.

Ballon table

The luminaire's parts are available in various colours and materials for a myriad of creative options. The rotating, adjustable wooden panels and the marble base bring a strong element of natural, organic elegance to the luminaire, and the prestigious 24K gold-plated metal frames add a touch of timeless luxury.

Ballon table



Ballon table, 24k Gold frame, 110mm black panel, 250mm black panel in the picture.

Ballon table

TUNTO

TECHNICAL SPECIFICATIONS

Base and 110mm panel colors
 Black White

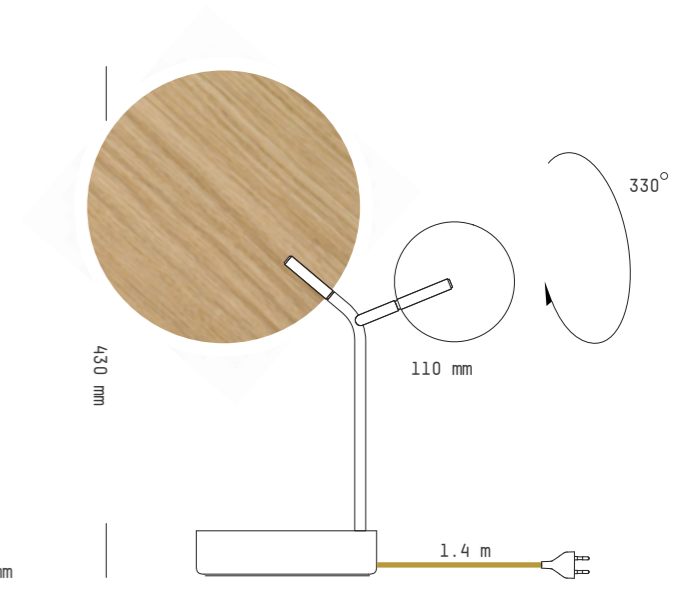
250mm panel colors and materials
 Oak Walnut Black White

Wood Surface Finish: Lacquer

Frame
 24K Gold plated

Base stone
 Black marble White marble

Switch colors
 24K Black 24K White



Adjustable panels,
 Panels rotate 330 degrees: Large 250 mm, Small 110 mm

Drivers / Built-in

350 mA	CASAMBI DIM	LCM40BLE
--------	-------------	----------

Rated Power	9 W	Kelvin	2700 K, 3000 K
Voltage	220-240V 50/60 Hz,	Lumen	300 lm
Output	17,5V 350 mA	CRI	97 Typ, R9 =91
Cord Length	Brass cover cord 1,4 m, EU socket	Package Size	520 x 385x 210 mm
Frame color	Black RAL 9005 fine efekt, White RAL 9003 fine efekt	Package Weight	3,5 kg

INDOOR USE ONLY NON-USER REPLACEABLE LIGHT SOURCE IP20 CE

Collection

A SWITCH LIKE A PIECE OF JEWELRY.

Inspired by the sophisticated and precious design language of fine jewelry, Tunto EnOcean is a state-of-the-art wireless switch that is compatible with the Casambi system.

This elegant switch brings a new level of style and technology for easy, intuitive dimming and light control.

TUNTO EnOcean

TUNTO



Collection

TUNTO EnOcean

TUNTO

Collection

EnOcean is available in various finishes. The frame comes in black, white or gold, and the rockers (single or double) in black or white.

MODELS

Frame & rocker colors

Single

Double



24K
Black



24K
Black



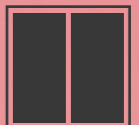
24K
White



24K
White



Black



Black



White



White



TUNTO EnOcean

EnOcean is wireless and self-powered. It can be used as a handheld device or easily attached to any surface. It works both as an on/off switch and a dimming controller.

TUNTO EnOcean

TUNTO EnOcean

TUNTO

Collection



TUNTO EnOcean

TUNTO

TECHNICAL SPECIFICATIONS

MODELS

Frame & rocker colors

Single

Double



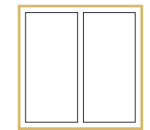
24K
Black



24K
Black



24K
White



24K
White



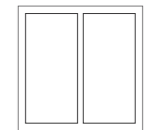
Black



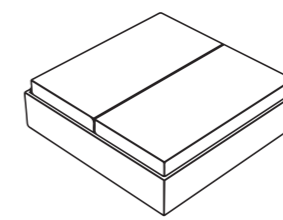
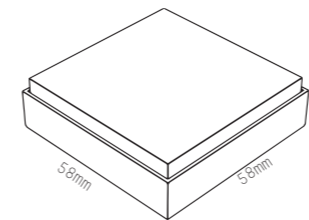
Black



White



White



Radio protocol	Bluetooth, BLE	Operating temp.	-25°C to +65°C
Radio frequency	2.403-2480 GHz	Relative humid.	0% to 95%, dry rooms only
Transm. Power	0.4 dBm / 1.1 mW		
Radio Range	Indoor typ. 10 m	Package Size	175 x 125x 32 mm
Radio approvals	RED/FCC/ISED	Package Weight	0,28 kg
Countries	EU/US/CA		
Energy Source	Electro-dynamic energy converter min.		
Switch Cycles	50.000 (EN 60669 / VDE 0632)		

INDOOR USE ONLY

IP20

CE



Collection

WITH THE DOT SERIES, WE WANTED TO CONTINUE THE ORGANIC, YET SCULPTURAL DESIGN LANGUAGE STARTED BY THE BALLON SERIES AND TAKE IT FURTHER, CREATING A GRAPHIC IMPRESSION OF LIGHT AND DESIGN.



Dot Collection

INSPIRED BY ART DECO

With the DOT, we aimed for a certain playfulness and joyously dynamic shapes, brought together by a graphic design language and a creative combinations of materials.

The collection is characterized by the bold splendour of the colors and shapes of the legendary Art Deco.

Dot Collection

TUNTO



Collection



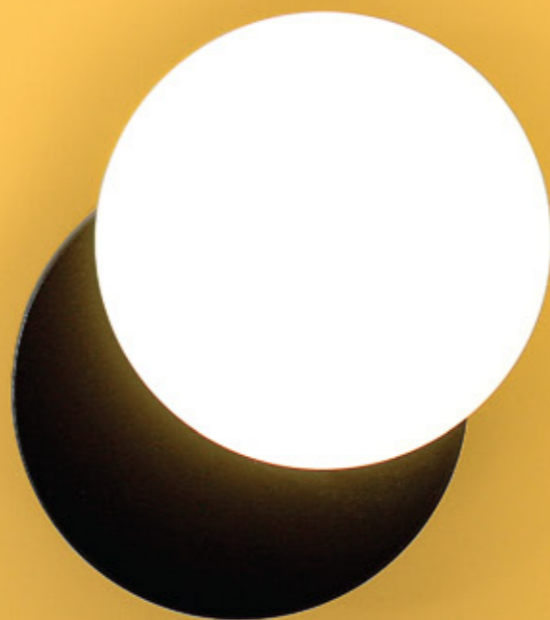
Dot Collection

TUNTO



The elegant wing-like panels are available in three materials and various colours: wood (oak, walnut), laminate (black, white) and glass (green, blue, grey).

Collection



Dot 01

The many-faced Dot is available in six different models (Dot 01-06), each with their distinct shapes, sizes and amount of panels.

The various sizes and materials add up to 66 different combinations, making it possible to customize the luminaire according to one's individual taste.



The high-quality LED panel frames and mounting cups are available in black or white.

FRAME

110 mm mounting cup
& led panel colors



Dot 02 - frame, mounting & panel black, 172mm gray glass panel in the picture.



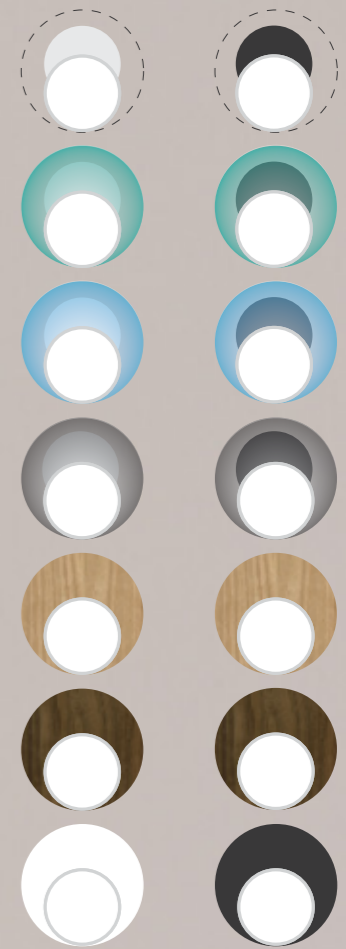
Dot 02

FRAME

110 mm mounting cup
& led panel colors

MODELS

172 mm panel
materials & colors





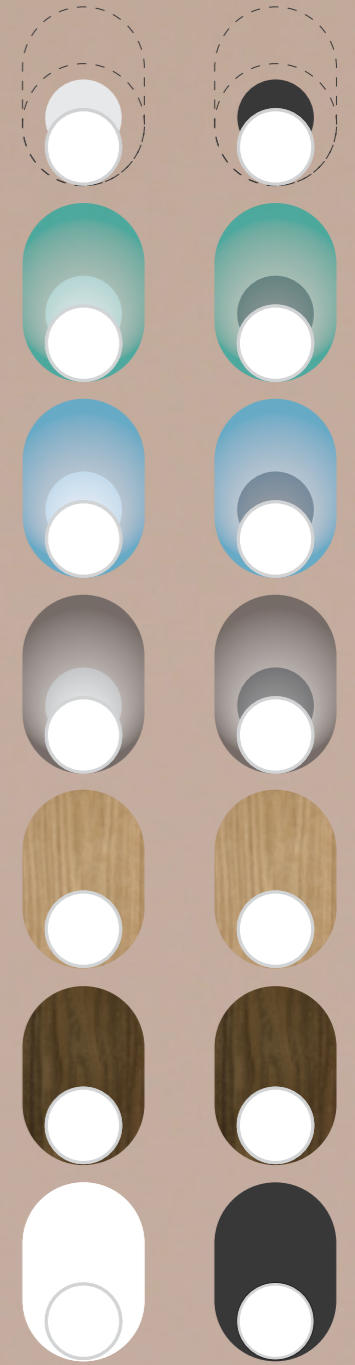
Dot 03

FRAME

110 mm mounting cup
& led panel colors

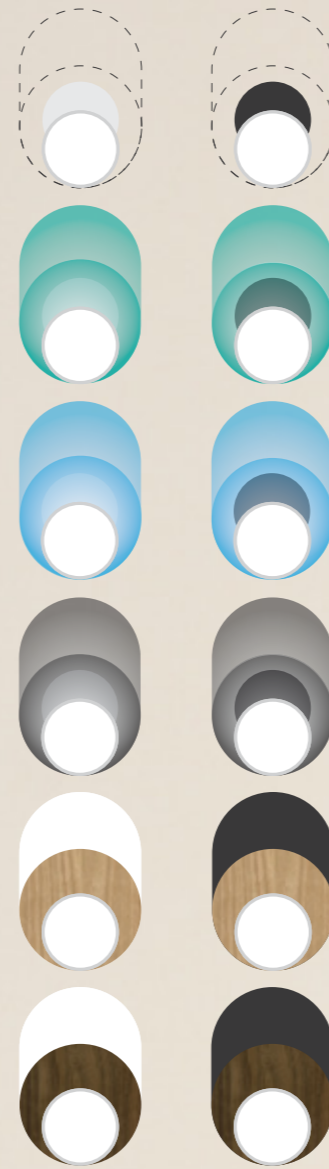
MODELS

250 x 172 mm panel
materials & colors





Dot 04

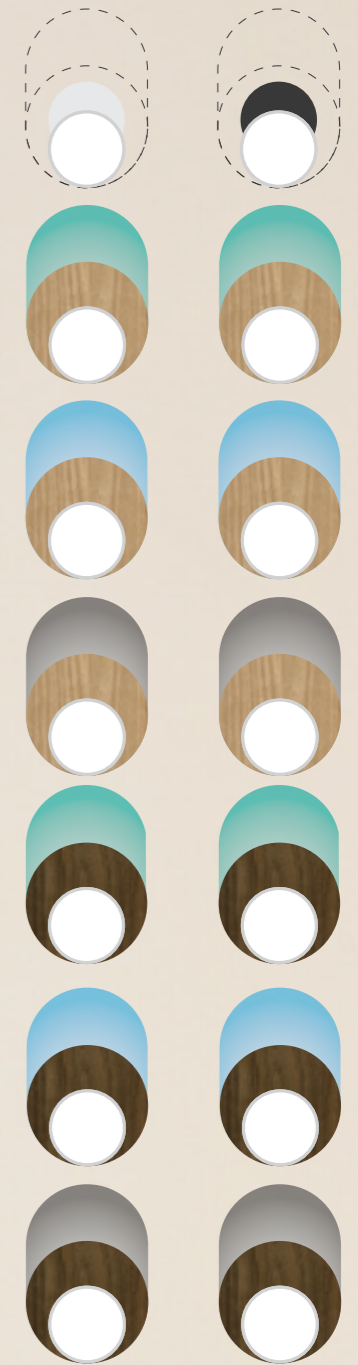


FRAME

110 mm mounting cup
& led panel colors

MODELS

250 x 172 mm panel
materials & colors





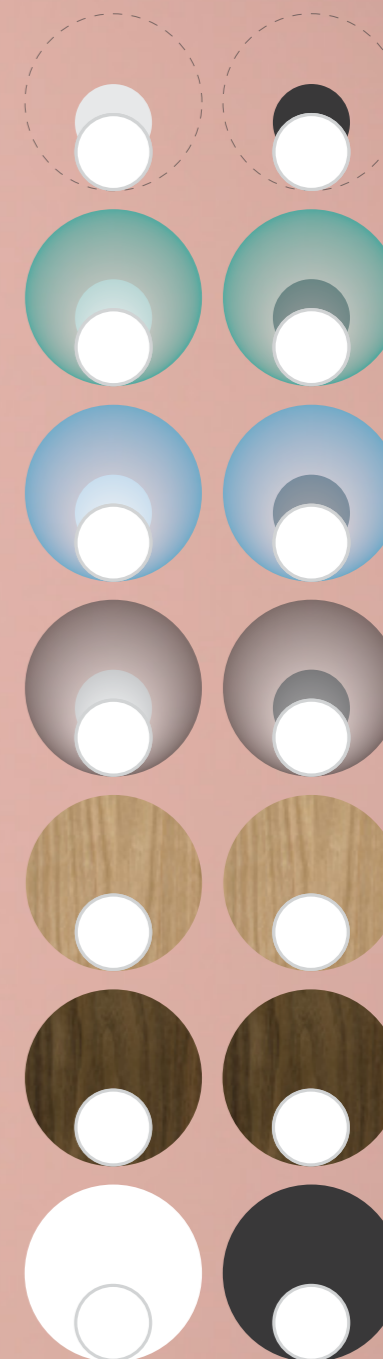
Dot 05

FRAME

110 mm mounting cup
& led panel colors

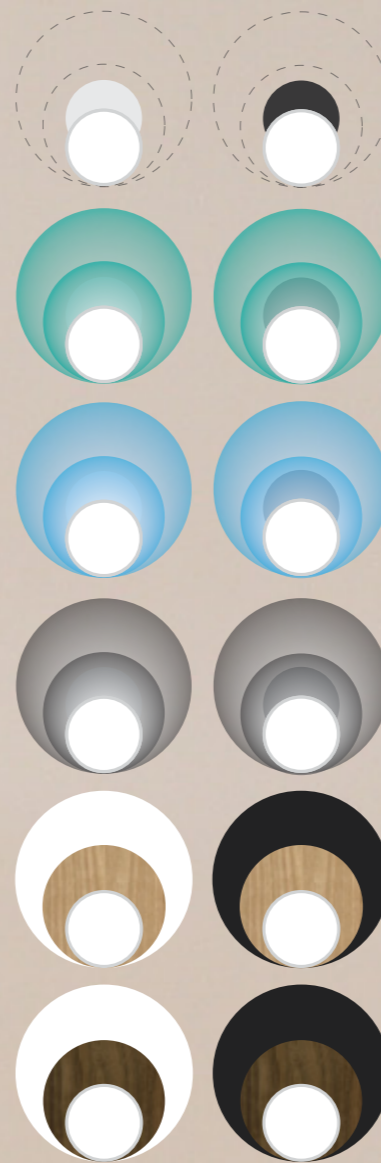
MODELS

250 mm panel
materials & colors





Dot 06

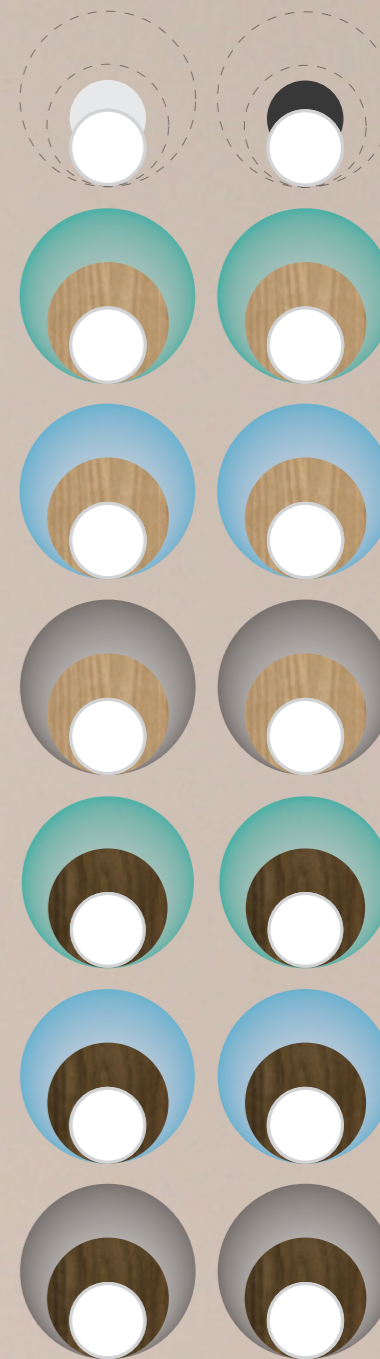


FRAME

110 mm mounting cup
& led panel colors

MODELS

250 mm, 172mm
panel materials
& colors



Dot Collection

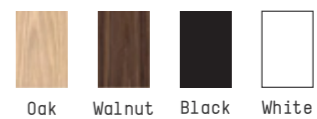
TUNTO

TECHNICAL SPECIFICATIONS

Frame and 110mm panel colors

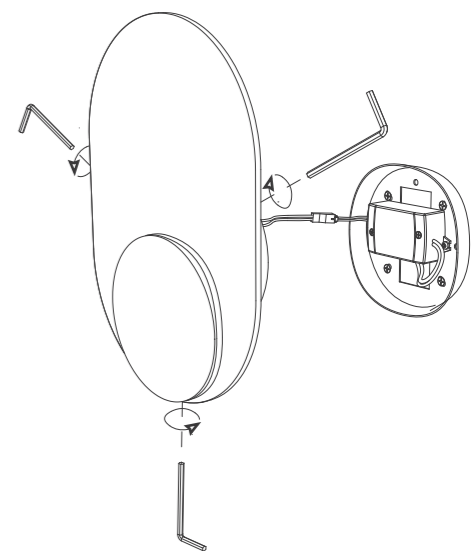
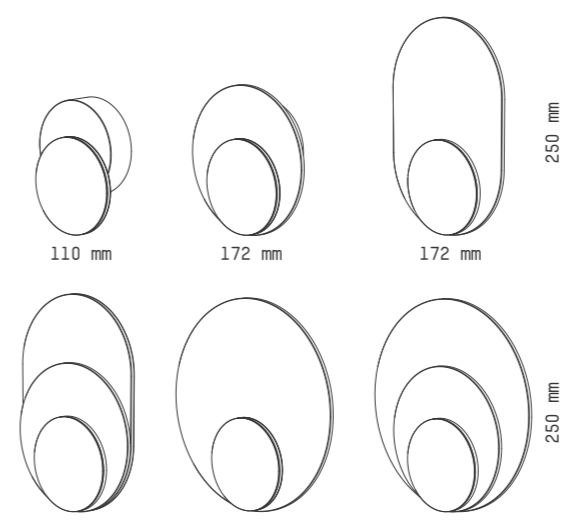


Panel colors and materials



Wood Surface Finish: Lacquer

Glass panel colors



Drivers / Built-in

350 mA	non dimmable	RECD06
--------	--------------	--------

Drivers / External

350 mA	DALI, PUSH DIM	LCM40DA
	CASAMBI DIM	LCM40BLE

Rated Power	5 W	Kelvin	2700 K, 3000 K
Voltage	110-240V 43/63 Hz,	Lumen	200 lm
Output	9V 350 mA	CRI	97, R9=91
Cord Length	External driver cable length, Standard 3 m,	Package Size	320 x 290x 60 mm
Frame color	Black RAL 9005 fine efekt, White RAL 9003 fine efekt	Package Weight	1-2 kg

INDOOR USE ONLY NON-USER REPLACEABLE LIGHT SOURCE IP20 CE

Collection

OFFICESTATION- OFFICE LIGHT THAT
SUITS SPACES WHICH REQUIRE
INDIRECT LIGHTING, CREATING A
STYLISH, EYE-CATCHING ATMOSPHERE.

Tree Officestation

TUNTO

Collection



Tree Officestation

TUNTO

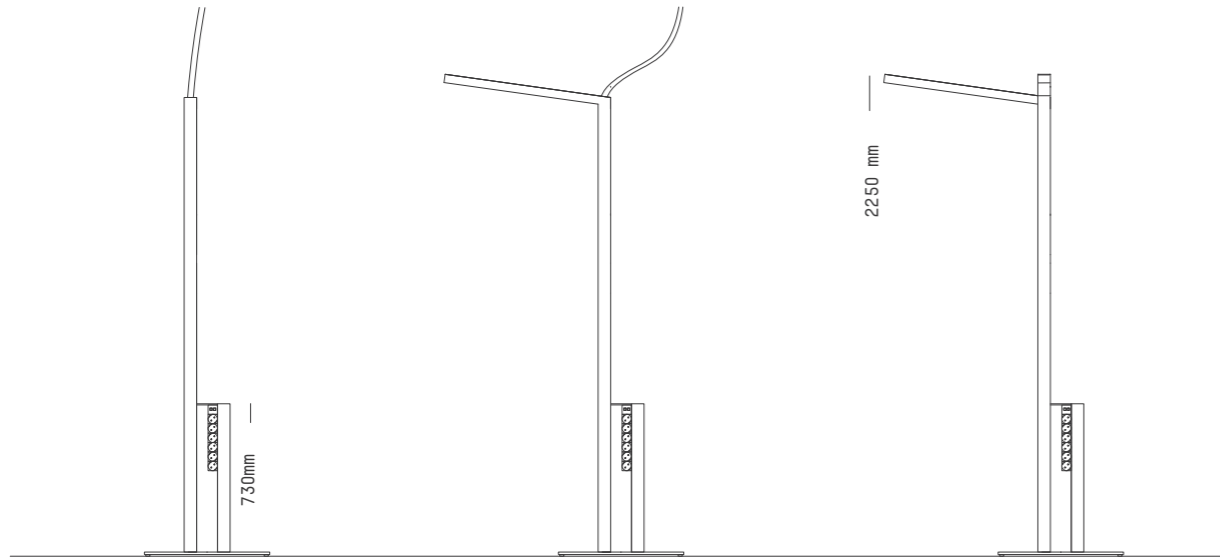
Collection

TEAM FINLAND PREMISES IN HELSINKI

A light and power source column that, along with its outstanding technical features, is an aesthetically important part of an office interior.

Tree Officestation

TECHNICAL SPECIFICATIONS



MODEL NRO: T10

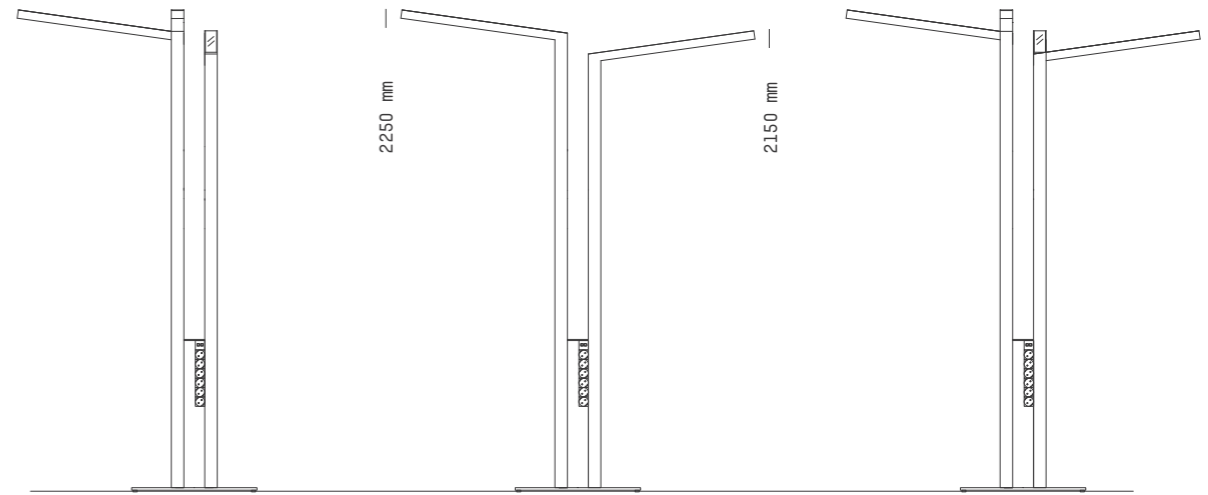
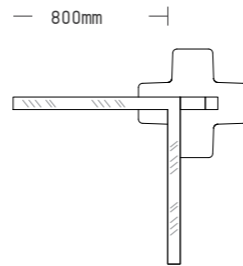
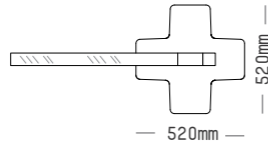
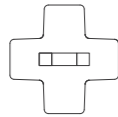
TL10

TX20

34 W,
2400 lm

68 W,
4800 lm

Wood profile 60 x 60mm



TX2L1

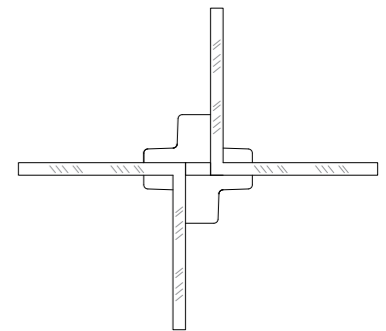
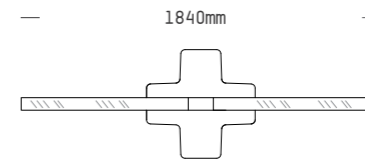
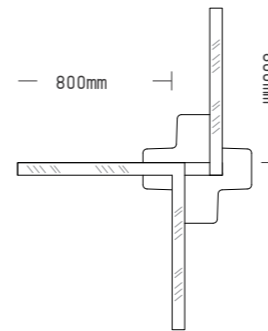
TX1L1

TX2X2

68 W + 34 W,
7200 lm

68 W,
4800lm

68 W + 68 W,
9600 lm



Drivers

700 mA	DALI	DLC150/190DA
	CASAMBI DIM	DLC150/190DACAS

Rated Power	34 W- 68 W x 2pcs.	Kelvin	2700 K, 3000 K, 4000 K
Voltage	220-240V 50/60 Hz,	Lumen	with 700mA, one part 2400lm.
Output	42-84V, x 2 pcs, 700 mA	CRI	93
Socket or data	On request, up to 8	Package Size	Pallet 2300 x 1200 x 400-1640 mm
Center part	Size 120mm x 730mm x 60mm Black RAL 9005 fine efekt, White RAL 9003 fine efekt	Product Weight	50 kg

INDOOR USE ONLY

NON-USER REPLACEABLE LIGHT SOURCE

IP20

CE



Available colors and materials



Oak



Ash



Walnut



Black
stained
Oak



White
stained
Oak

Surface Finish Ash: White Oil wax / Oak, Walnut: Oil wax

Tree officestation

TUNTO

Collection



HEX IS A MODULAR LIGHTING SYSTEM THAT OFFERS A FLEXIBLE SOLUTION FOR VARIETY OF SPACES. HEX IS AN OPPORTUNITY FOR IMAGINATION. THE UNITS CONNECT TOGETHER ALLOWING TO BUILD LINEAR LIGHTING OF DIFFERENT LENGTHS AND SHAPES TO FIT INTO ANY INTERIOR.

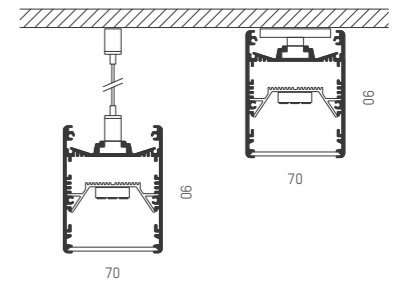
Hex



Hex

TUNTO

HEX FIX & PENDANT

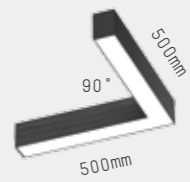


Modular design allows to connect units together and create seamless linear lighting and a variety of shapes. The advanced opal diffuser gives an efficient and pleasant low glare light.

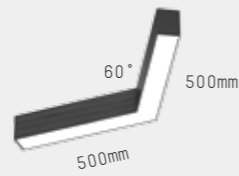
The end caps and connectors are made of anodized aluminum, to match the frame color.

The luminaire can be suspended with wires or mounted directly to the ceiling or wall.

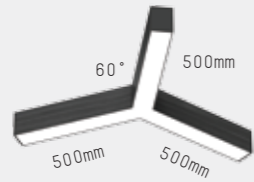
Collection



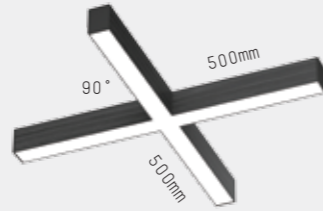
L - shape



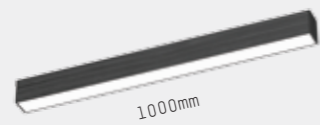
J - shape



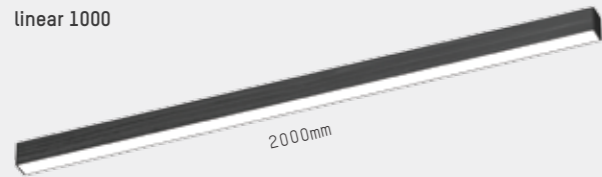
Y - shape



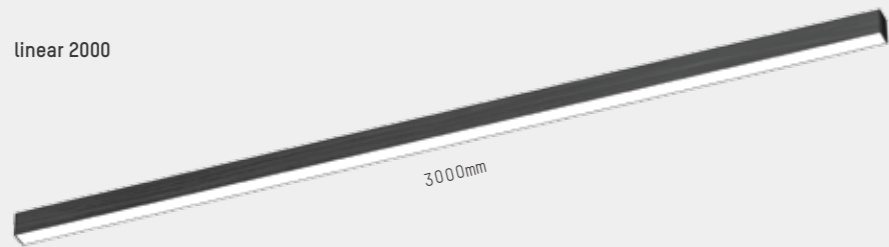
X - shape



linear 1000



linear 2000





linear 3000




Hex

TUNTO

TECHNICAL SPECIFICATIONS

End cap color  
Black Bronze

Surface Finish Oak, Ash, Black

Available colors and materials   
Oak Ash Black stained

Drivers / Power Box

700 mA	DALI
--------	------

Rated Power	-43-90W	Kelvin	2700 K, 3000 K, 4000 K
			tunable white (2700-4000 K) / RGB
Voltage	220-240V 50/60 Hz,	Lumen	Linear unit per 1000 mm / -2870 lm
			L-shape / -2870 lm, X-shape / -5740 lm
Output	24-45V 500-700 mA	CRI, UGR	93, UGR<19
			Package Size
Mounting	Suspended, ceiling / wall mounted	Package Weight	TBC
Power Box	Optional ceiling cup; White RAL 9003 fine efekt Black RAL 9005 fine efekt		

INDOOR USE ONLY

NON-USER REPLACEABLE LIGHT SOURCE

IP20

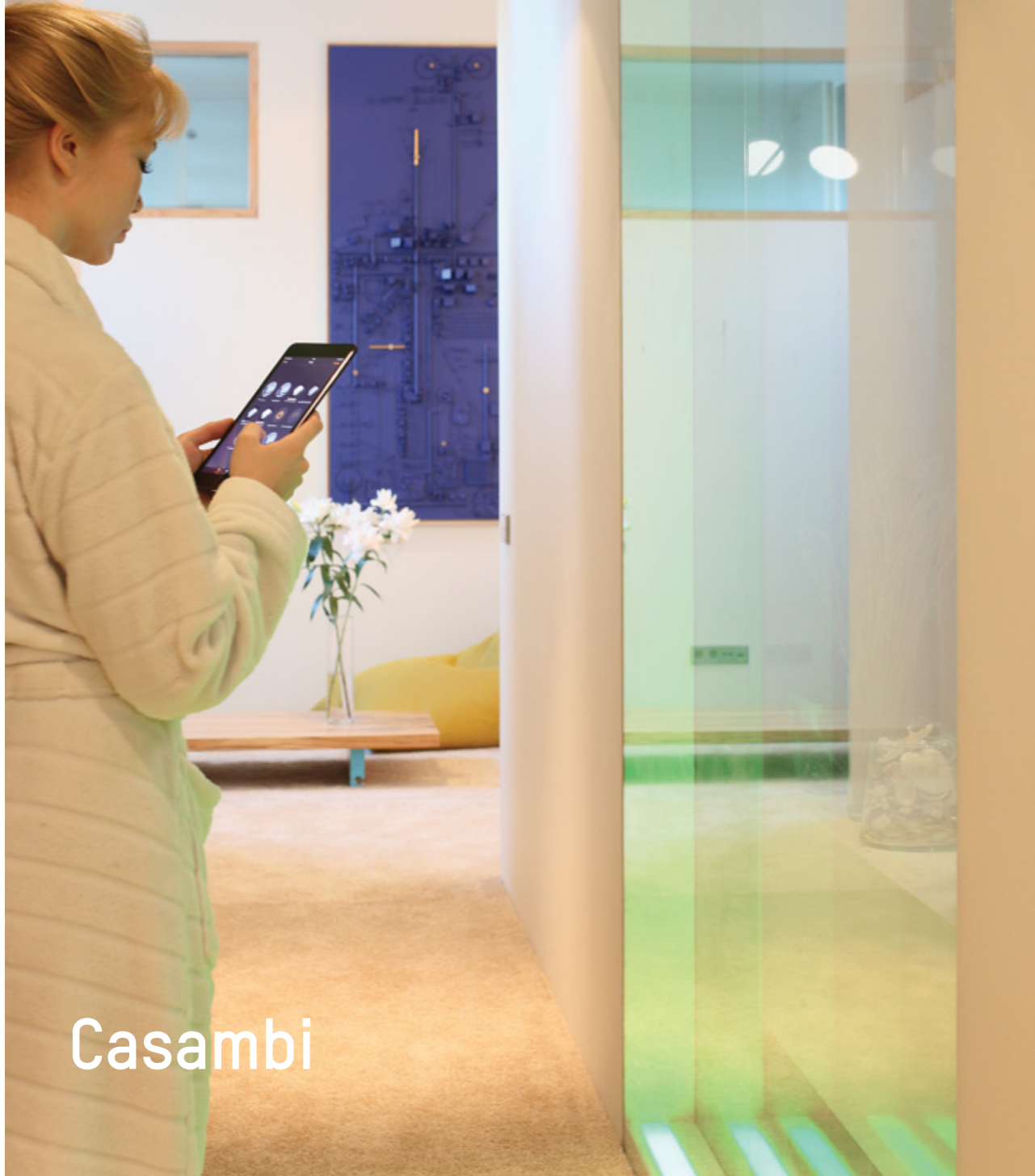
CE



Collection

CASAMBI APP

With Casambi you can control your LED lights to create just the right mood or ambience.



Casambi

TUNTO



Collection



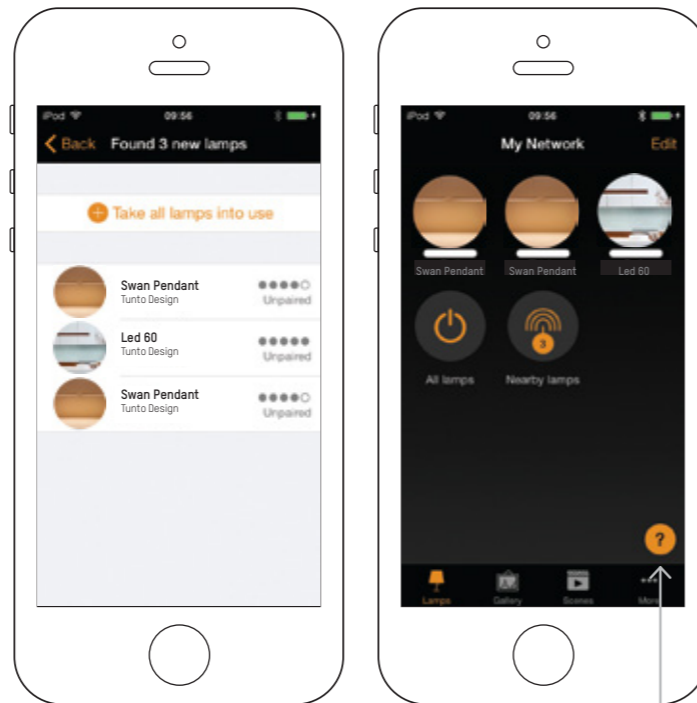
CASAMBI APP

With Casambi you can control your LED lights to create just the right mood or ambience.

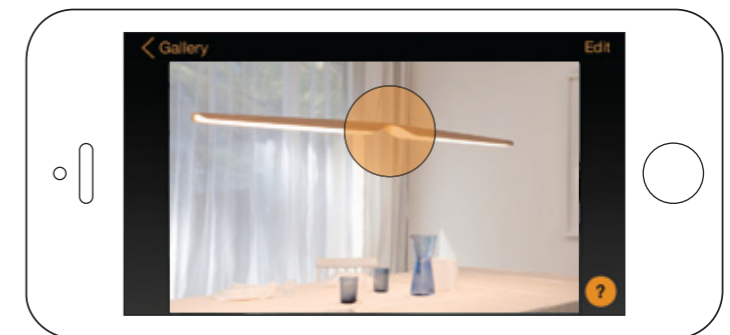
FIRST TIME USE

Casambi app is easy to take into use. Follow these simple steps.

1. Download the app from Apple App Store or Google Play Store.
2. Turn on your Casambi enabled luminaires.
3. Open the app.
4. Casambi app will automatically find all Casambi enabled luminaires that are switched on.
5. Tap on the 'Take all lamps into use'.
6. Casambi app will automatically add all luminaires to one network and open the 'Lamps' tab.



If further help is needed there are question marks on every page of the app to help in using it. FAQ can be found from the More tab under Help.



DIMMING

With Casambi enabled light fixtures it is possible to use regular power or wall switches for dimming and no extra dimmers are needed. Here are three simple steps to create a nice ambience for your home.

1. To start the dimming process, just quickly switch off and on the light fixture from the wall or power switch. After flicking the switch the dimming process will start.
2. Once the light has reached the desired brightness level just flick the power or wall switch quickly again, off and on, to save the current level as new default brightness for the light fixture.
3. It is always possible to change the default brightness by starting the dimming process over again.

GALLERY

The Gallery in Casambi app is the most intuitive way of controlling your luminaires. Take a picture of the room where your luminaires are and place lamp controls over them in the picture.

1. Add a photo of your room to Casambi Gallery by tapping 'Edit' and after that the '+' sign.
2. Add lamp controls to the picture. Tap on the '+' sign and select a lamp control that you want to add to the picture.
3. When you have added controls over all the luminaires in the picture tap 'Done'.
4. Control your luminaires visually from the picture. No need to guess which luminaire is which.

2LINES CANOPY IS MORE THAN JUST A POWER BOX – IT'S A COMPLETELY NEW AND AESTHETIC WAY TO INSTALL AND CONNECT ANY TUNTO LIGHT. THE HIGHLY-VERSATILE CONNECTING OPTIONS – FROM THE SIDE OR FRONT ALLOW FOR CREATIVE AND FLEXIBLE RESULTS.

2lines Canopy

TUNTO

Collection



2lines Canopy

TUNTO

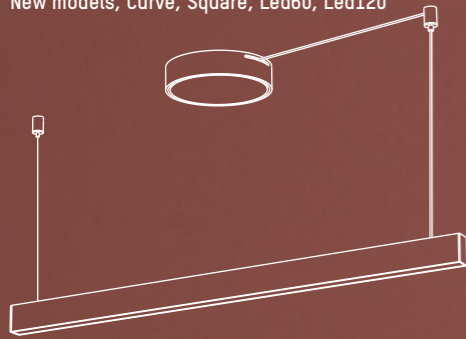


AS AN EXAMPLE, A PENDANT LAMP CAN BE INSTALLED WITH TWO CABLES INSTEAD OF THREE, AS THE OTHER ONE ACTS AS AN ELECTRIC WIRE AS WELL. WITH 2LINES CANOPY, YOU CAN INSTALL EVERYTHING JUST THE WAY YOU WANT.

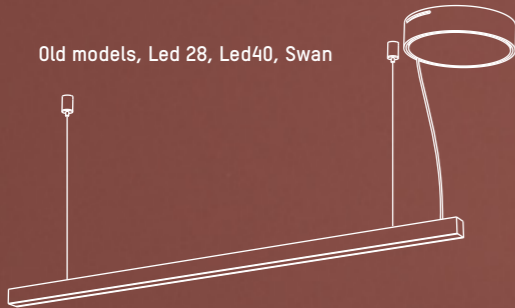
Collection

USING OPTIONS

New models, Curve, Square, Led60, Led120

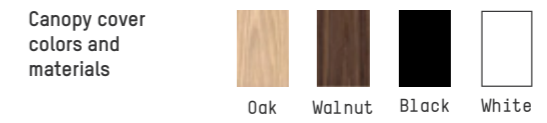
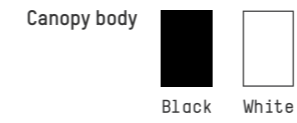


Old models, Led 28, Led40, Swan



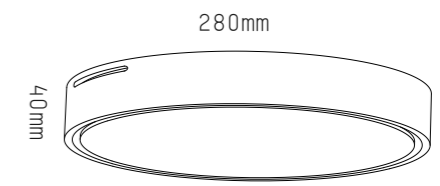
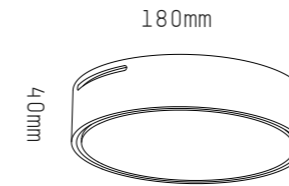
2lines Canopy

TECHNICAL SPECIFICATIONS



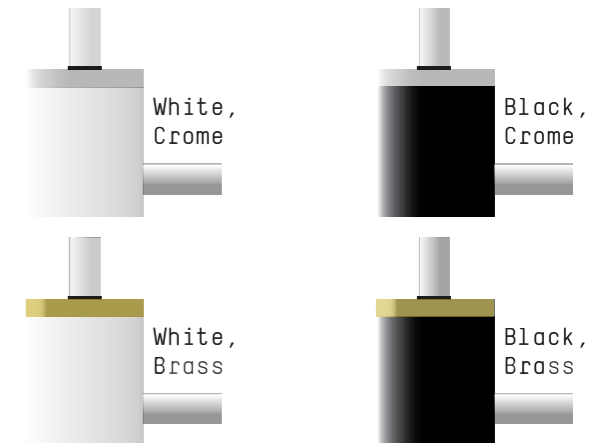
Canopy sizes

Wood Surface Finish: Lacquer



Wire holders

Cable holders, 5 mm and 6 mm round cable



Canopy	180 mm x 40 mm, 280 mm x 40 mm	Holders	White or Black POM plastic, Crome or Brass metal part,
Canopy color	White RAL 9003 fine efekt Black RAL 9005 fine efekt	Package Size	180mm size, 240 x 220 x 65 mm, 280mm size, 320 x 290 x 70 mm,
Cover material	Oak and Walnut Plywood Black and White laminate	Package Weight	1,5 - 2 kg

INDOOR USE ONLY

IP20

CE



NOVELTIES



Dot mirror

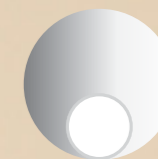
TUNTO

Collection



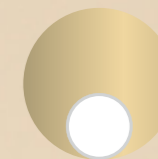
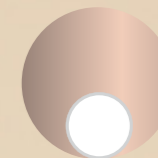
FRAME

110 mm mounting cup
& led panel colors



MODELS

250 x 375 mm panel
materials & colors



Dot mirror 01



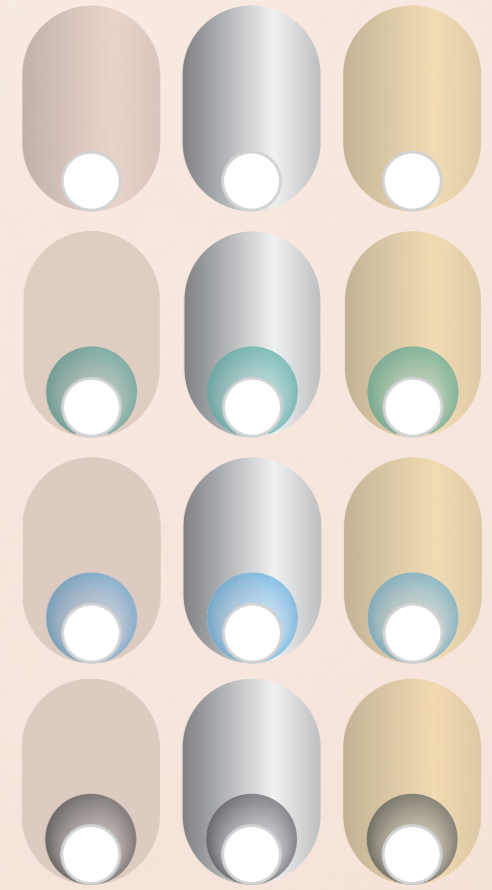
Dot Mirror 02

FRAME

110 mm mounting cup
& led panel colors

MODELS

172 mm panel
materials & colors

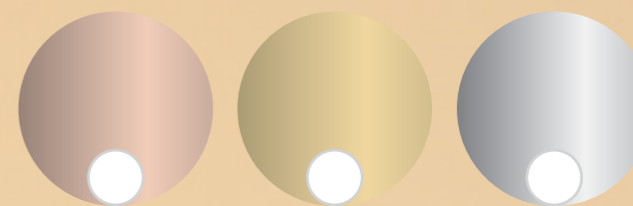




Dot mirror 03

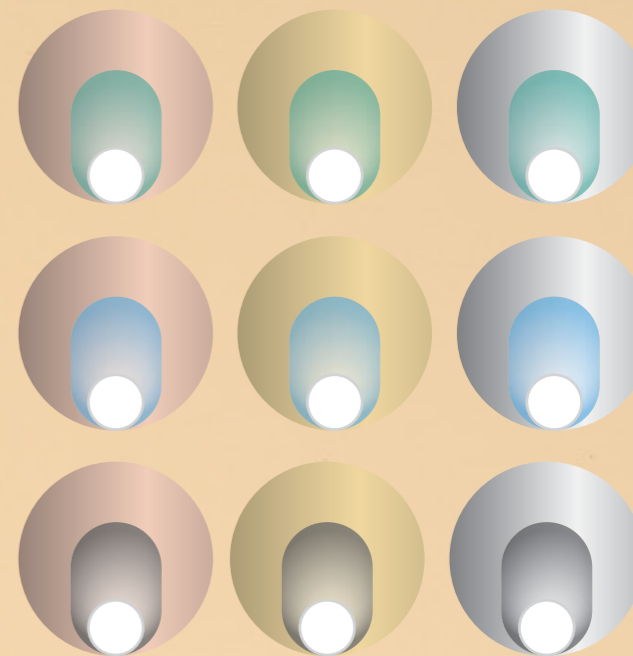
FRAME

110 mm mounting cup
& led panel colors



MODELS

172 mm panel
materials & colors



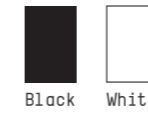


Dot mirror

TUNTO

TECHNICAL SPECIFICATIONS

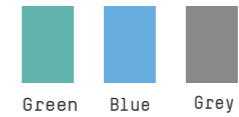
Frame and 110mm panel colors



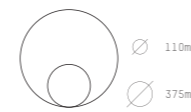
Mirros colors



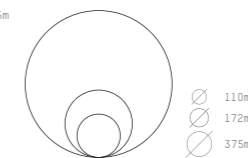
Glass panel colors



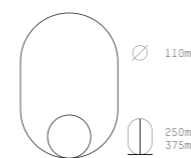
01



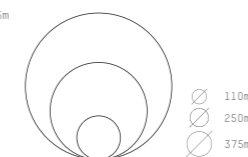
DOT05m



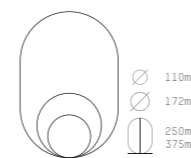
DOT05m



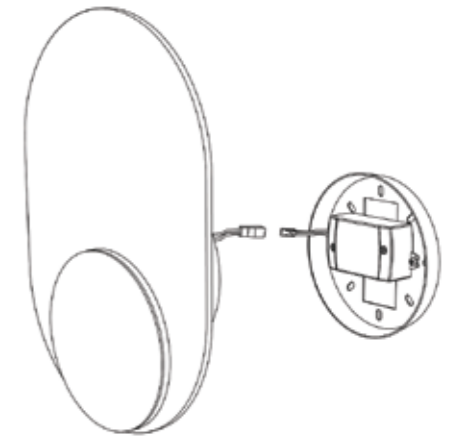
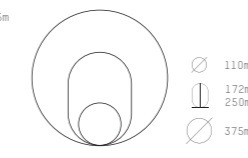
DOT05m



DOT05m



DOT05m



Drivers / Built-in

350 mA	non dimmable	REC06
--------	--------------	-------

Drivers / External

350 mA	DALI, PUSH DIM	LCM40DA
	CASAMBI DIM	LCM40BLE

Rated Power	4 W	Kelvin	2700 K, 3000 K
Voltage	220-240V 50/60 Hz,	Lumen	200 lm
Output	9V 350 mA	CRI	97, R9=91
Cord Length	External driver cable length, Standard 3 m,	Package Size	320 x 290x 60 mm
Frame color	Black RAL 9005 fine efekt, White RAL 9003 fine efekt	Package Weight	1-2 kg

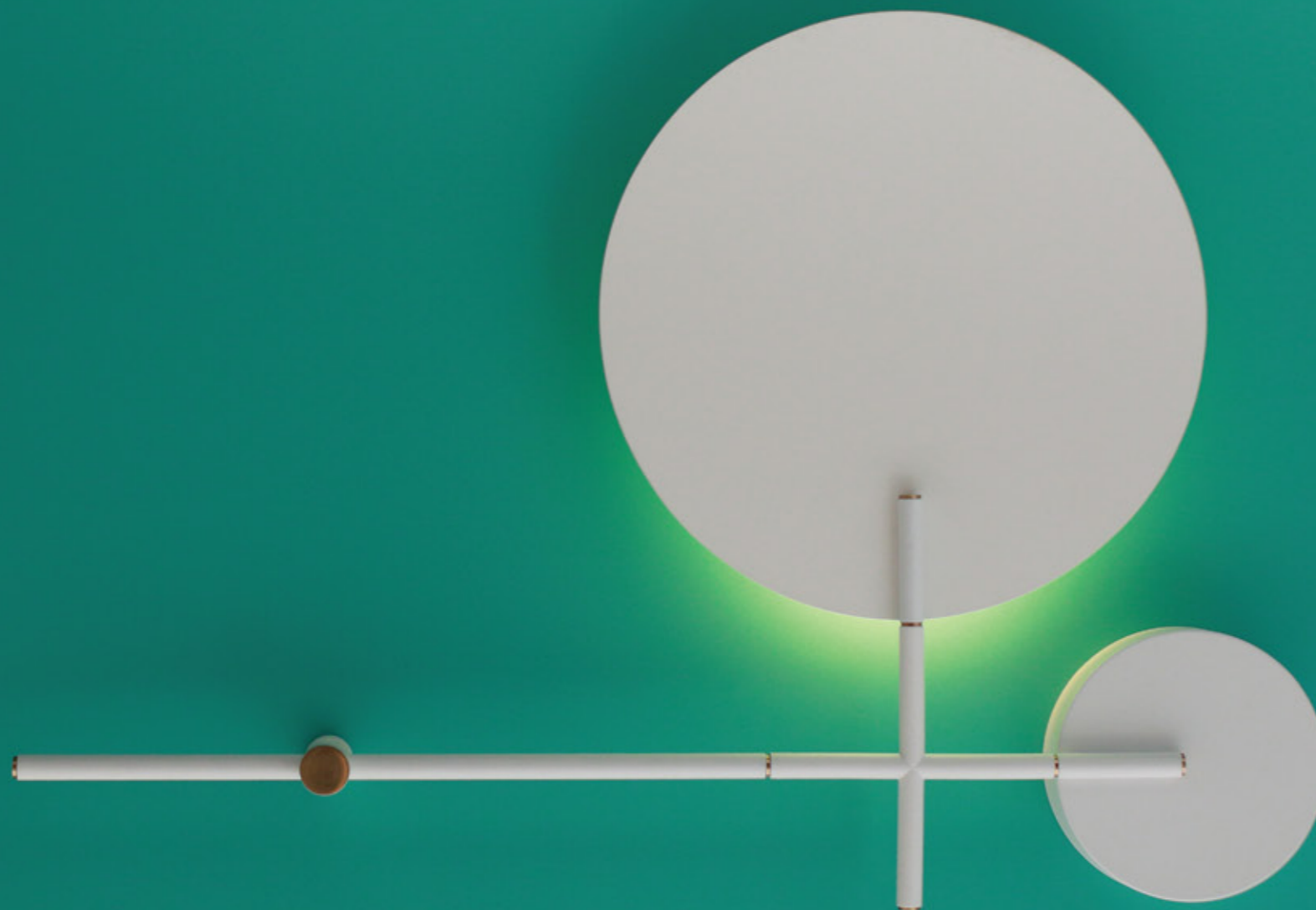
INDOOR USE ONLY

NON-USER REPLACEABLE LIGHT SOURCE

IP20



Collection



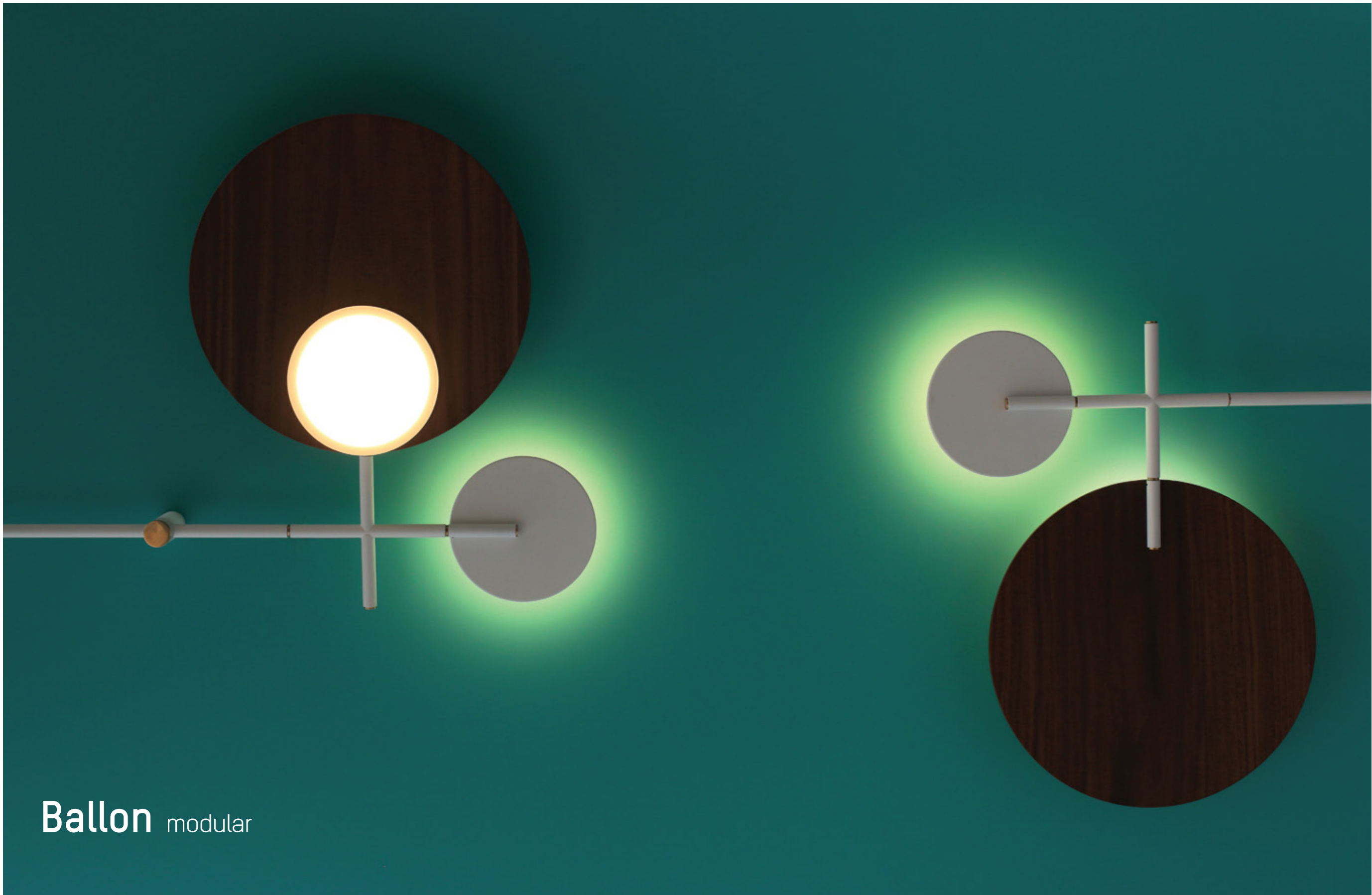
Ballon modular



Ballon modular

TUNTO

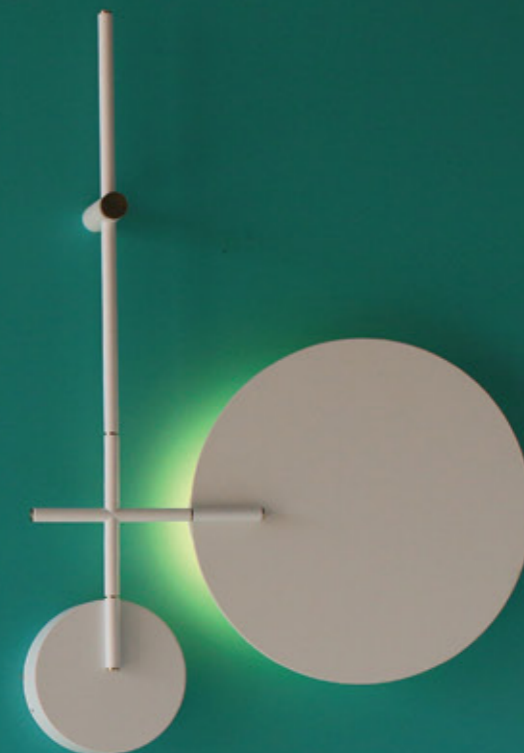
Collection



Ballon modular

TUNTO

Collection



Ballon modular



Square Lens

TUNTO



Collection



Square Lens

TUNTO

Collection

TUNTO lighting

Tekijänkatu 8
FI-04440 Järvenpää, Finland
Tel. +358 10 421 3000
mail@tunto.com
www.tunto.com

Mikko Kärkkäinen
CEO & DESIGNER

mikko@tunto.com
+358 10 421 3000

Alex Lussman
Head of Marketing & Sales

alex@tunto.com
+358 50 554 9660